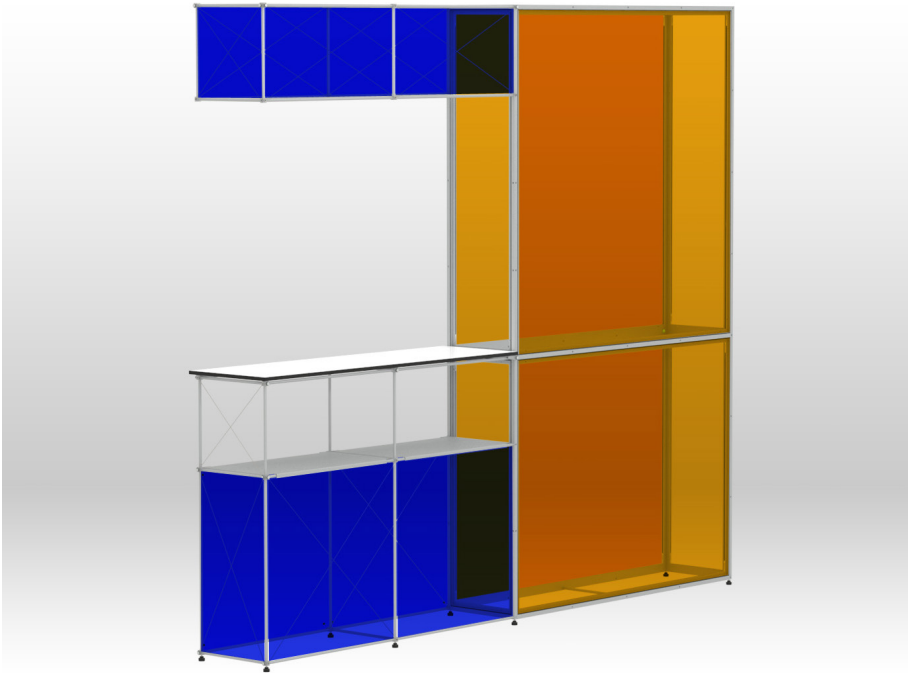


ROMEO

ASSEMBLING INSTRUCTIONS



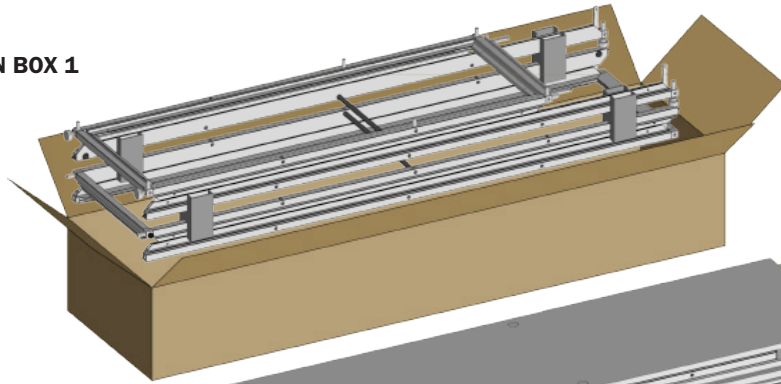


ROMEO

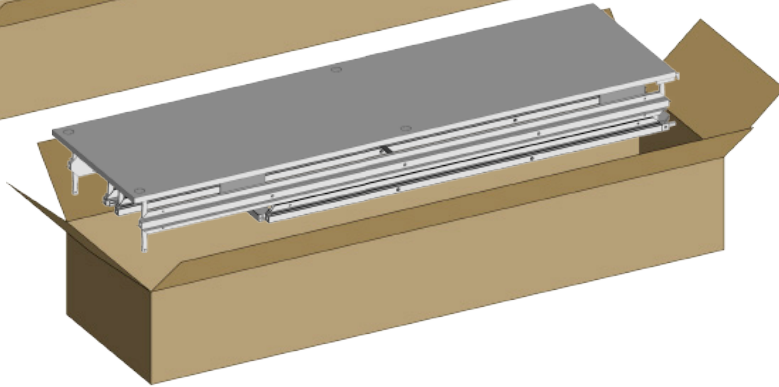
ASSEMBLING INSTRUCTIONS



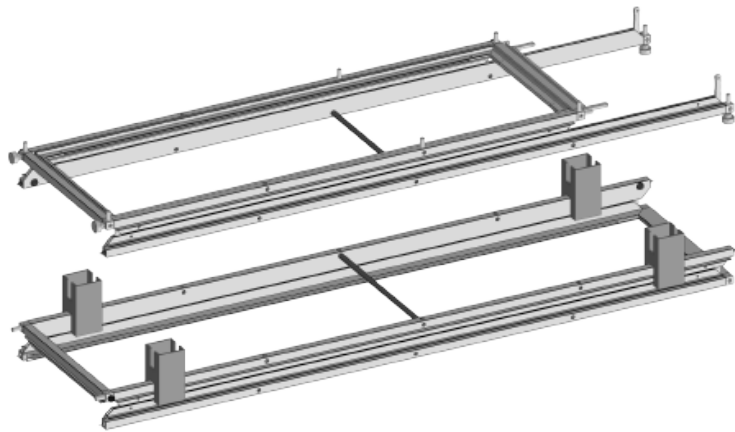
OPEN BOX 1



OPEN BOX 2



FRAMES 01 AND 04

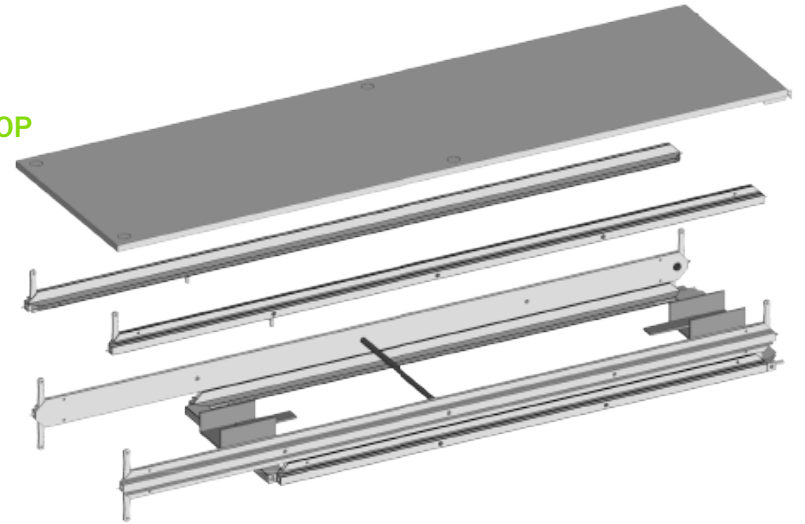


R0-01

R0-04

4 CLIC UP FRAMES 02 AND 03 (+ COUNTER TOP)

COUNTER TOP

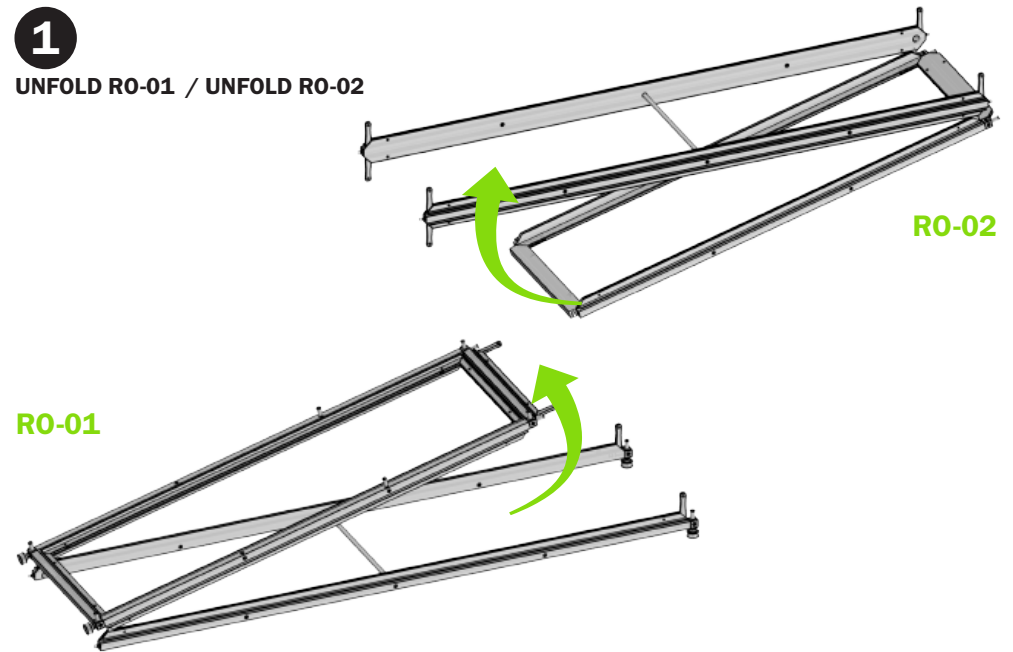


R0-03

R0-02

1

UNFOLD R0-01 / UNFOLD R0-02



R0-02

R0-01

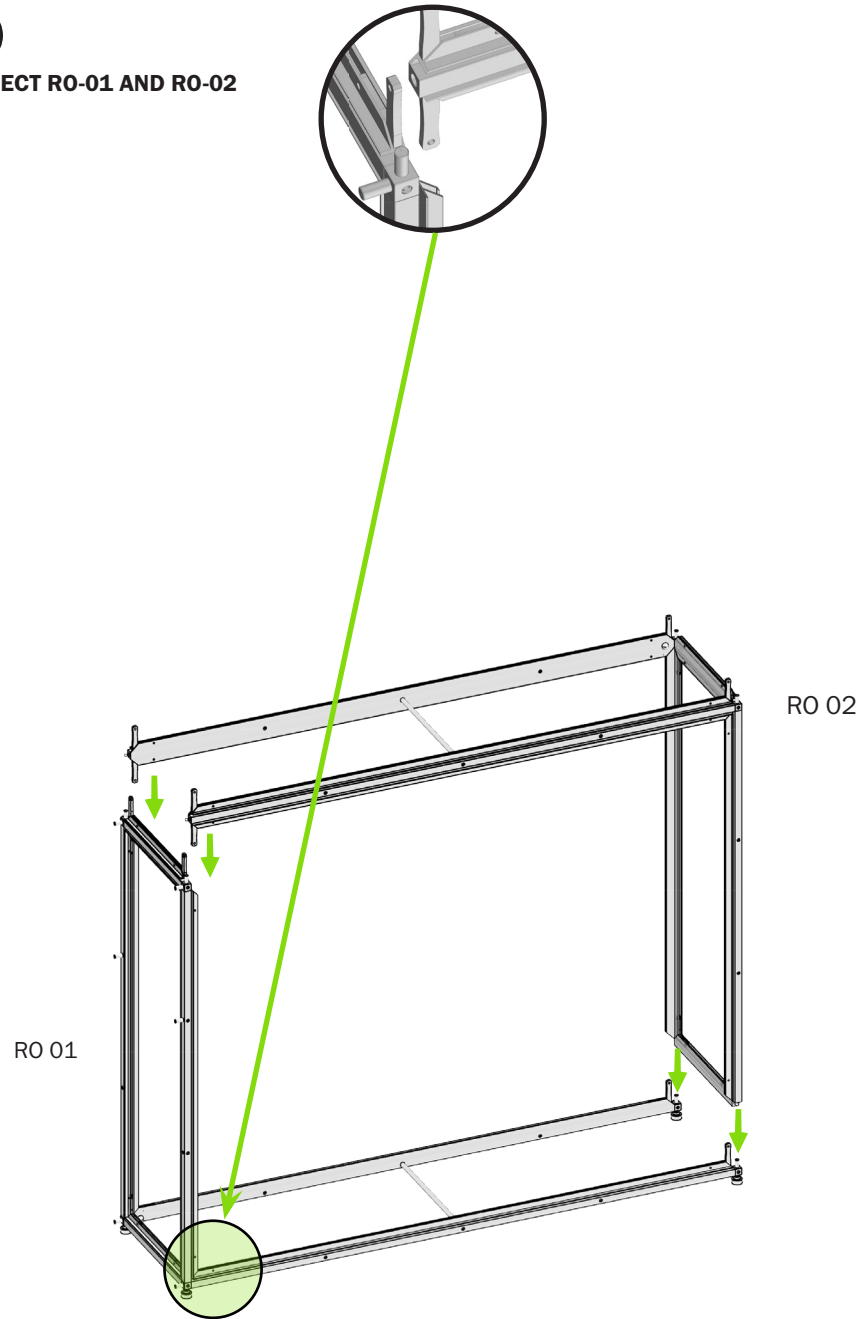
ROMEO

ASSEMBLING INSTRUCTIONS



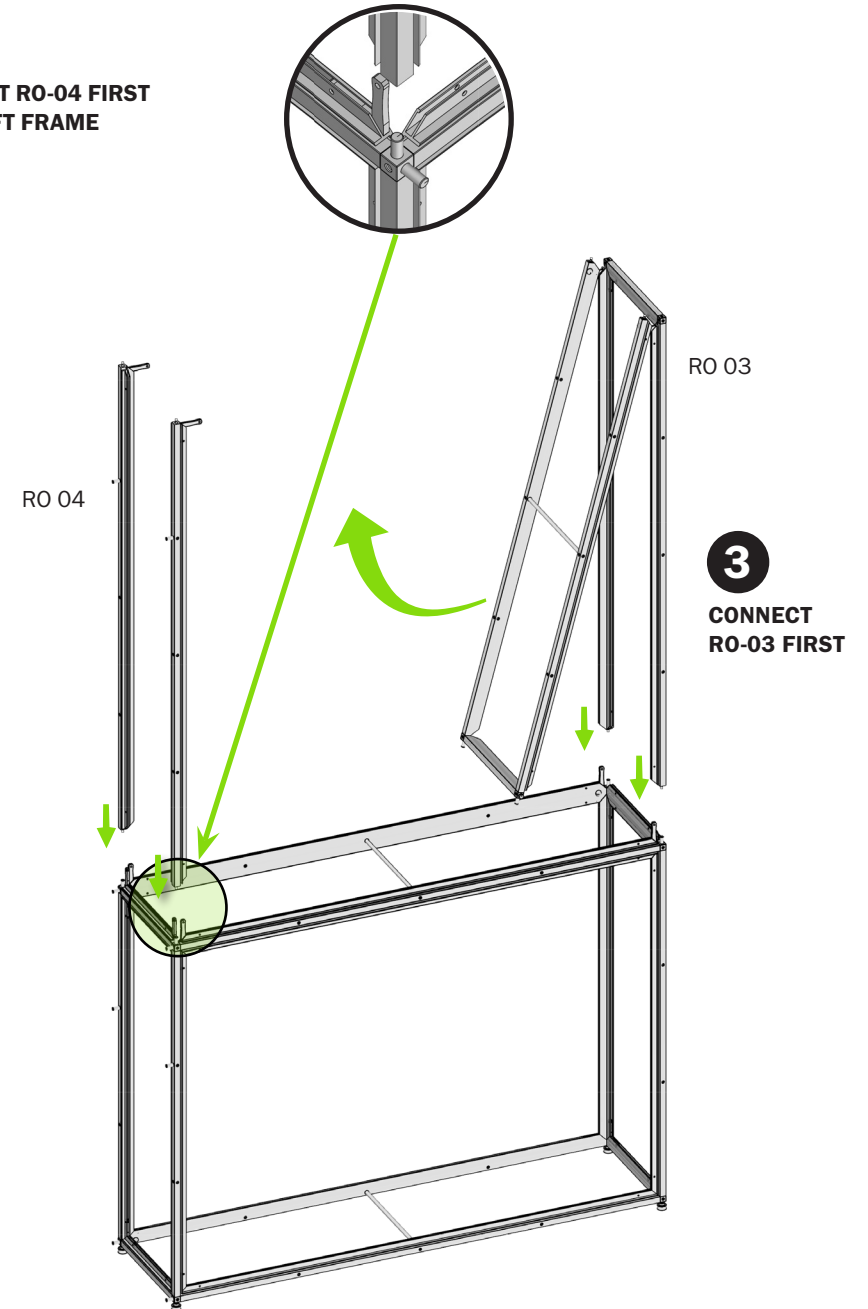
2

CONNECT RO-01 AND RO-02



4

**CONNECT RO-04 FIRST
THEN LIFT FRAME**



3

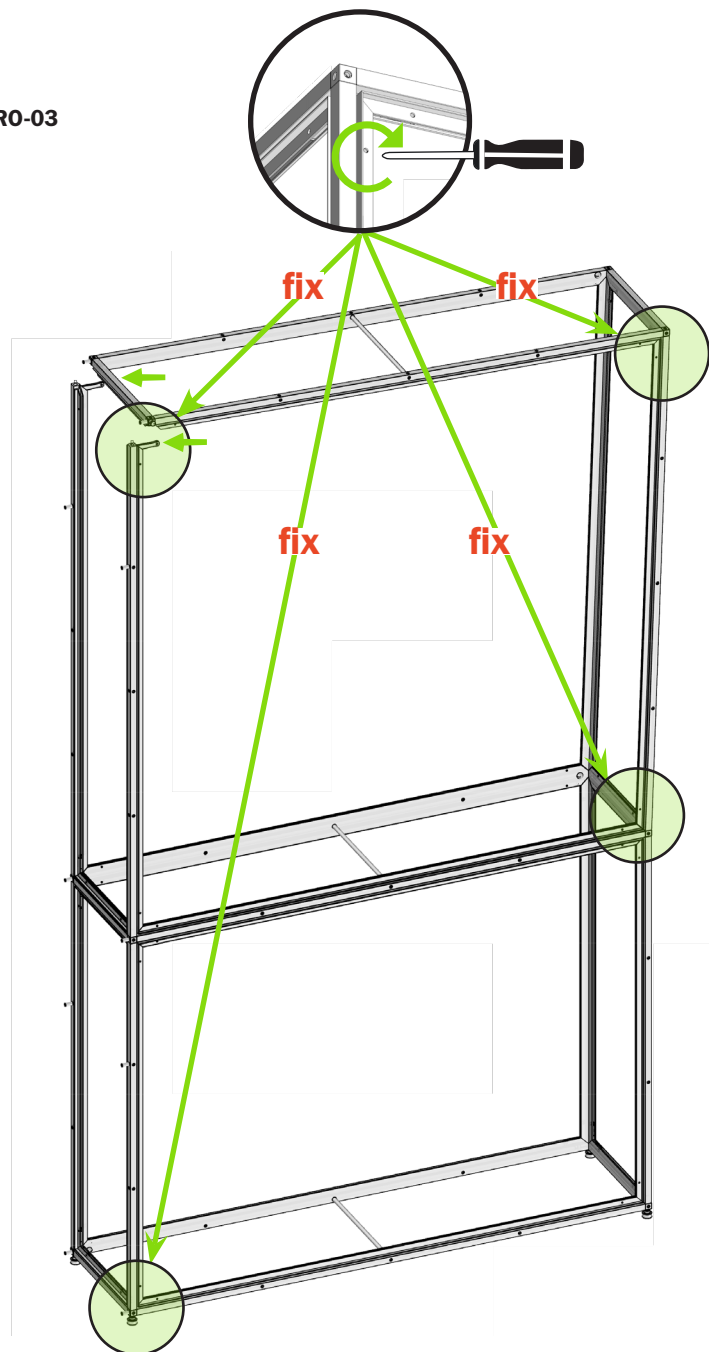
**CONNECT
RO-03 FIRST**

ROMEO

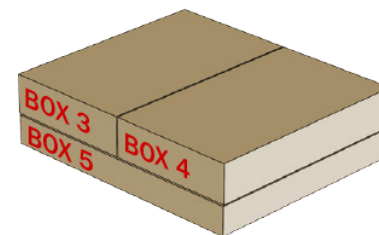
ASSEMBLING INSTRUCTIONS

5

CONNECT
RO-04 AND RO-03

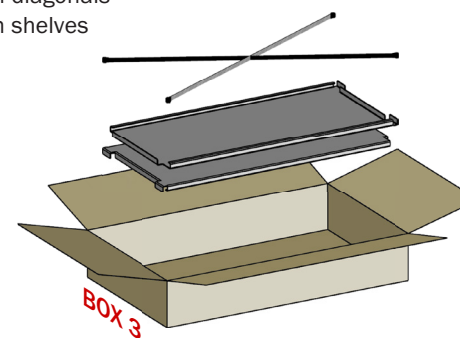


SUPPLIES SOFT BAG AND BOXES



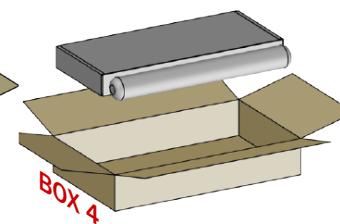
CARTON BOX 3

A30 cm x A60 cm diagonals
A30 cm x A60 cm shelves



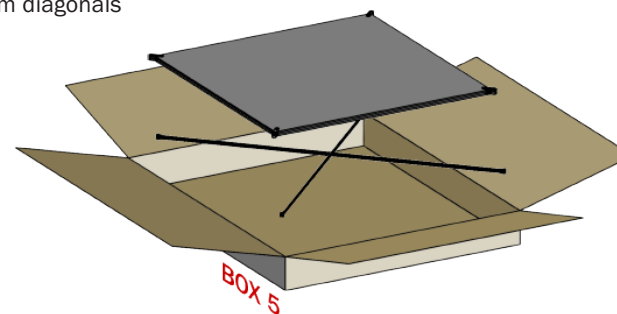
CARTON BOX 4

Material Box
LED spot tube (optional)



CARTON BOX 5

A60 cm x A60 cm vinyls
A60 cm x A60 cm diagonals




ROMEO

ASSEMBLING INSTRUCTIONS



MATERIAL BOX WITH:
clit cubes,
height adjusters
tubes A600 x ø10 mm
tubes A300 x ø10 mm

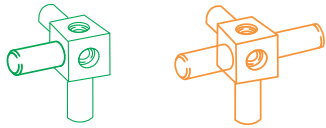


A600 mm 
A300 mm 

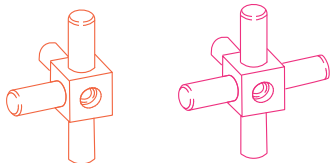
6

**CONNECT CLIC TUBES
MAGNETICALLY WITH FRAME**

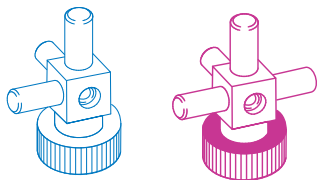
6 PIECES C1 **4 PIECES C2**



2 PIECES B1 **2 PIECES B2**



2 PIECES A1 **2 PIECES A2**

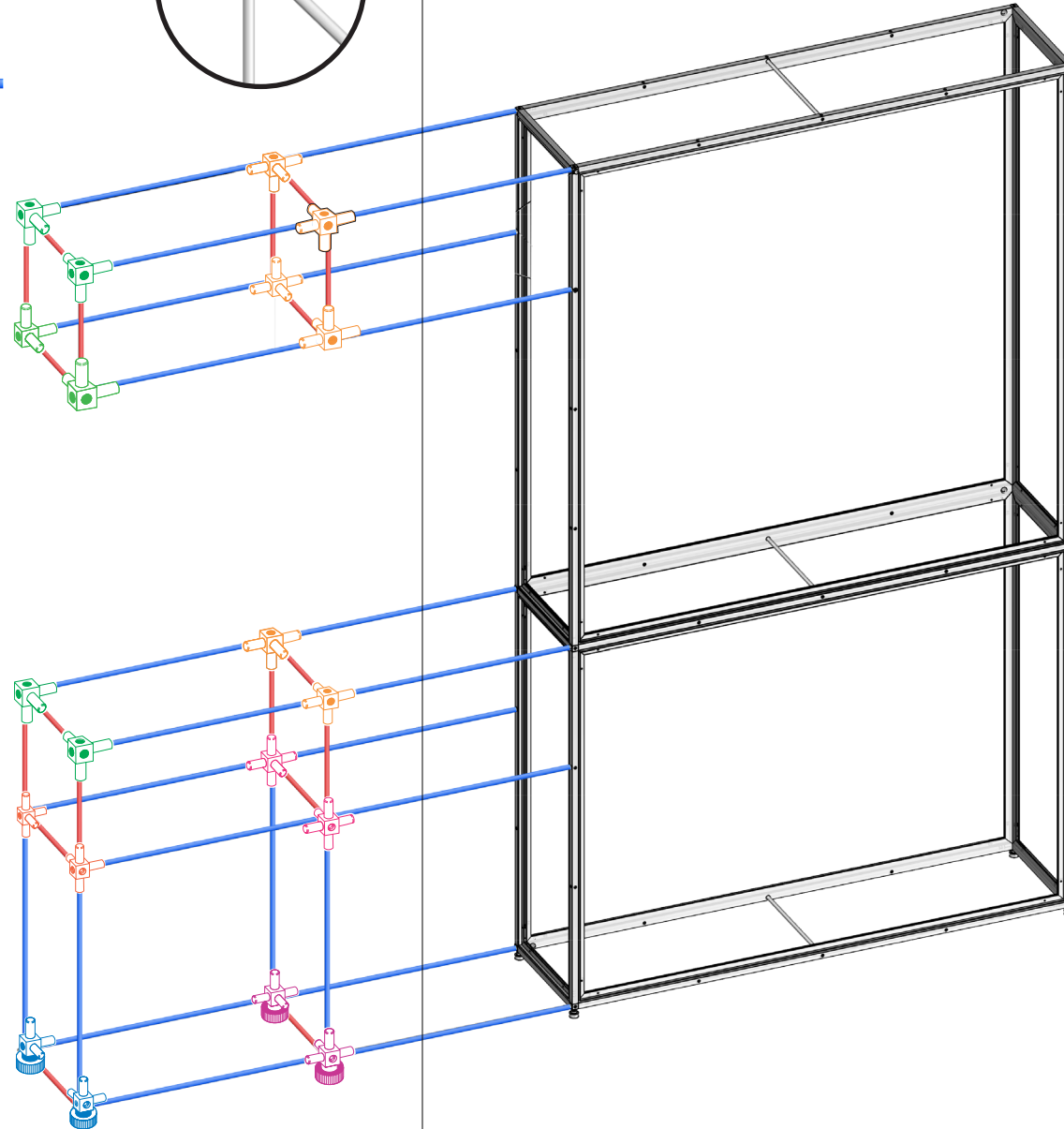


C1
C2

C1
C2

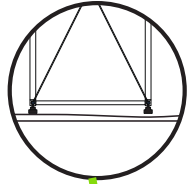
B1
B2

A1
A2



ROMEO

ASSEMBLING INSTRUCTIONS



7

**ADJUST HEIGHT
BEFORE ASSEMBLING
DIAGONALS**



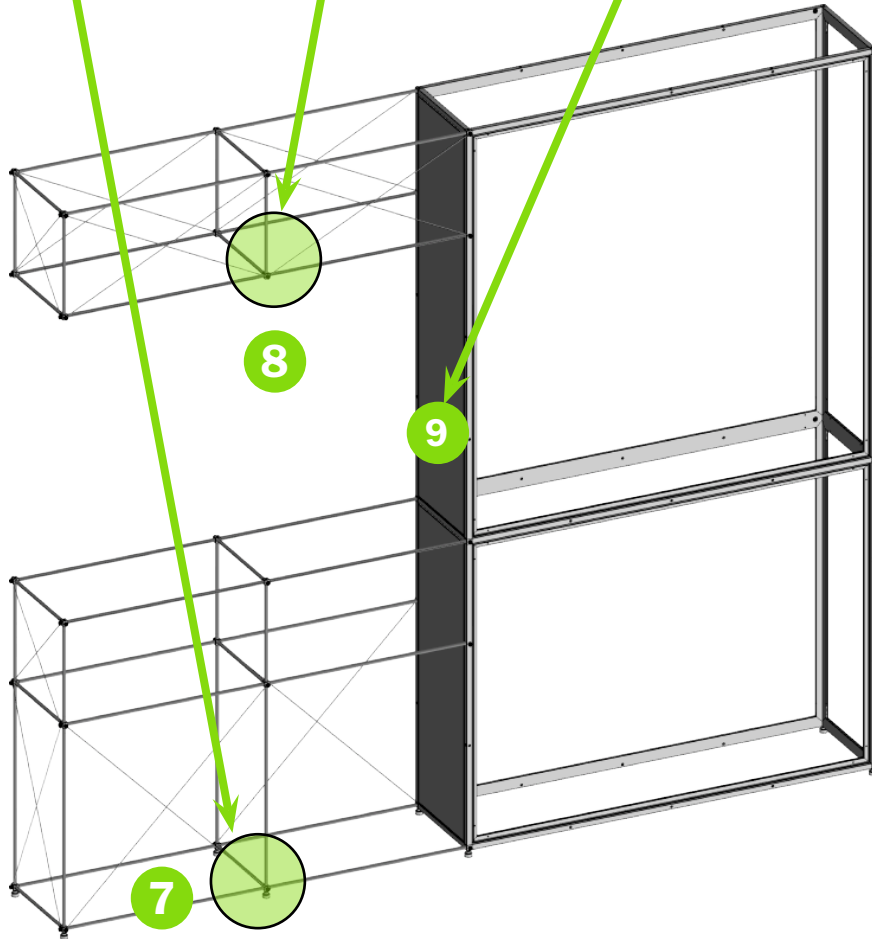
8

**TIGHTEN SCREWS
AFTER ASSEMBLING
ALL DIAGONALS**



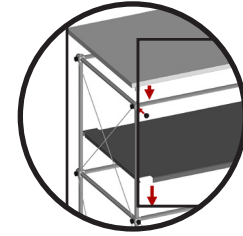
9

**ASSEMBLE
SIDE FABRICS
BEFORE SHELVES**



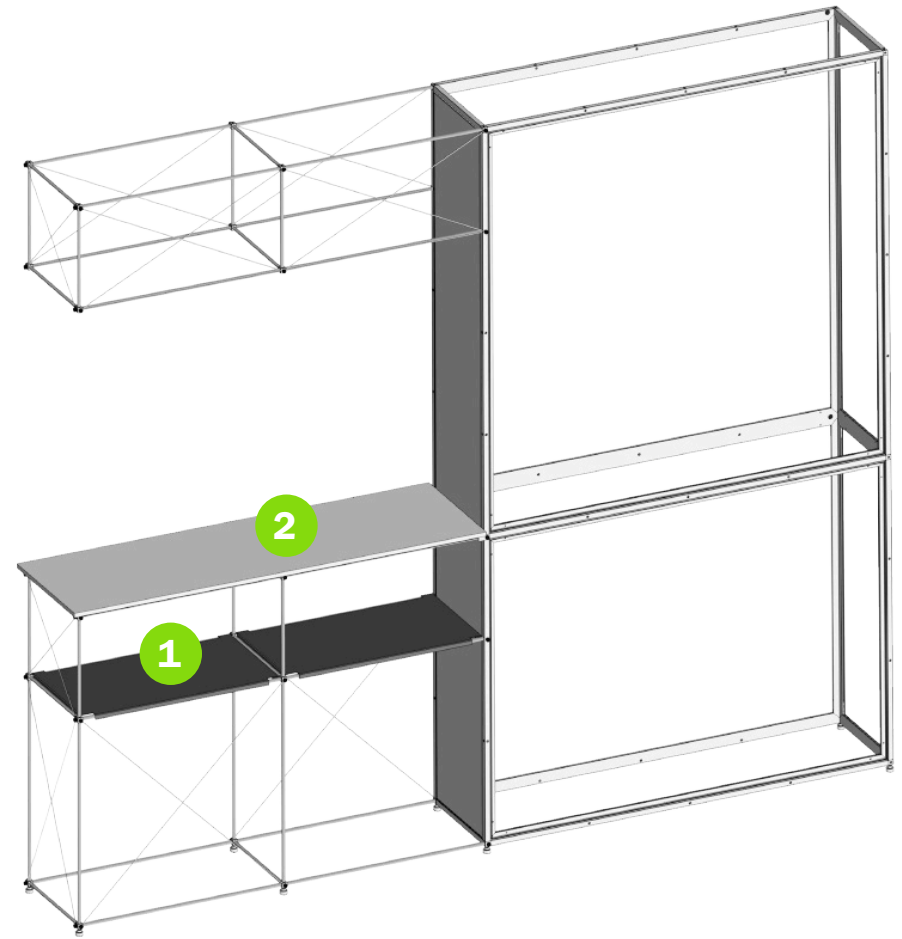
10

EQUIPE THE UNIT



1 ASSEMBLE SHELVES

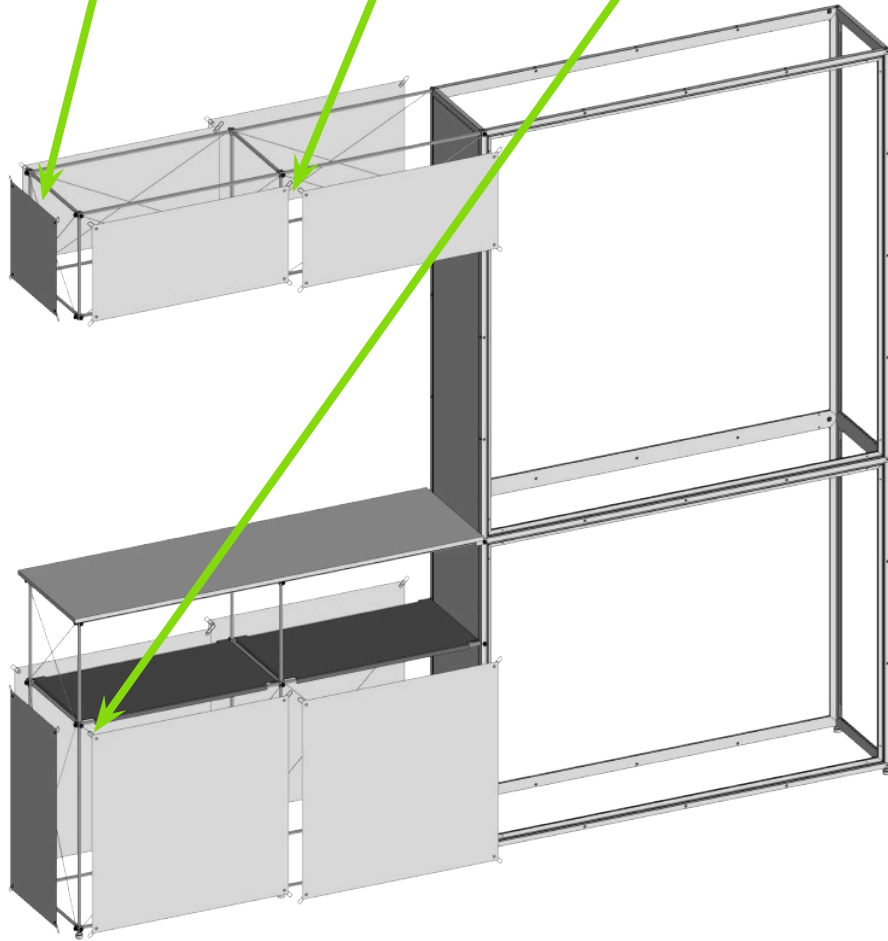
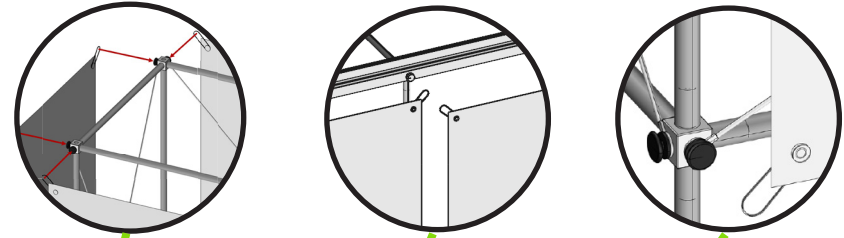
2 ASSEMBLE COUNTER TOP





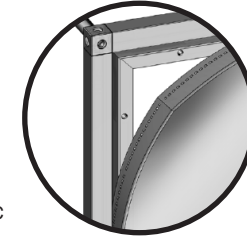
11

ATTACH VINYL PANELS USING ELASTIC O-RINGS

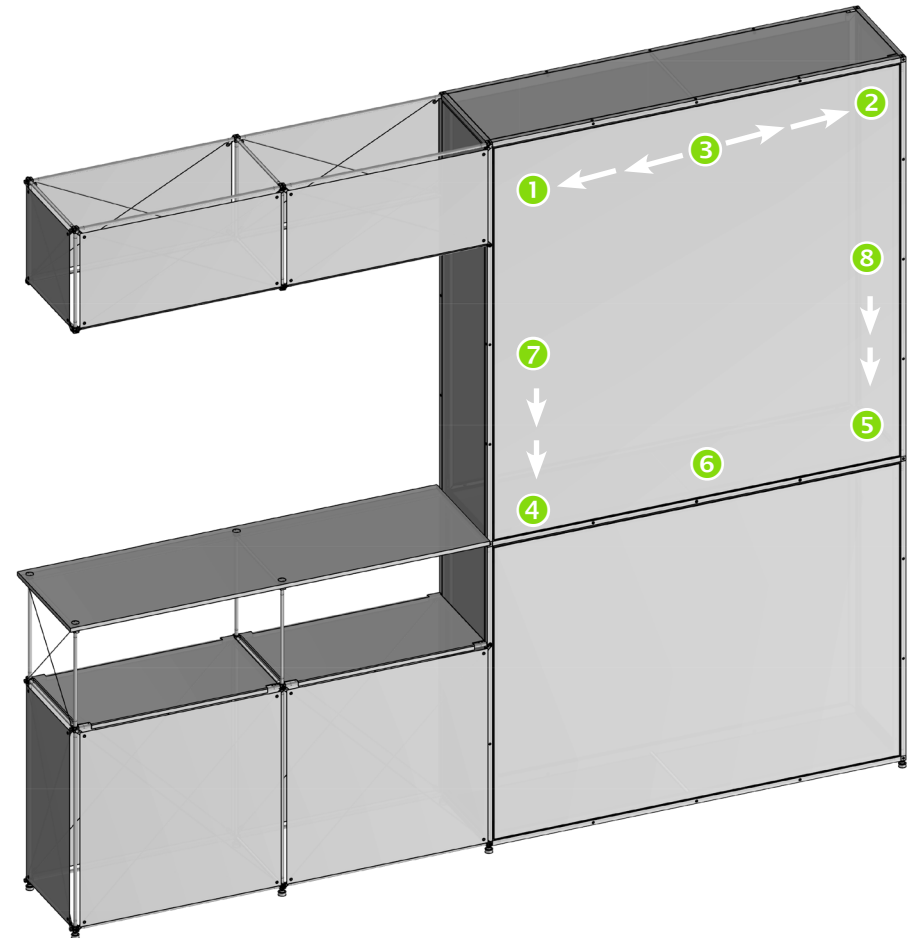


12

ATTACH FABRIC PANELS



- Attach top corners **1** and **2**
- Fix top edge and hang the fabric
- Attach corners **4** and **5**
- Put in fabric silicone in order of **6, 7, 8**



ROMEO

ASSEMBLING INSTRUCTIONS
