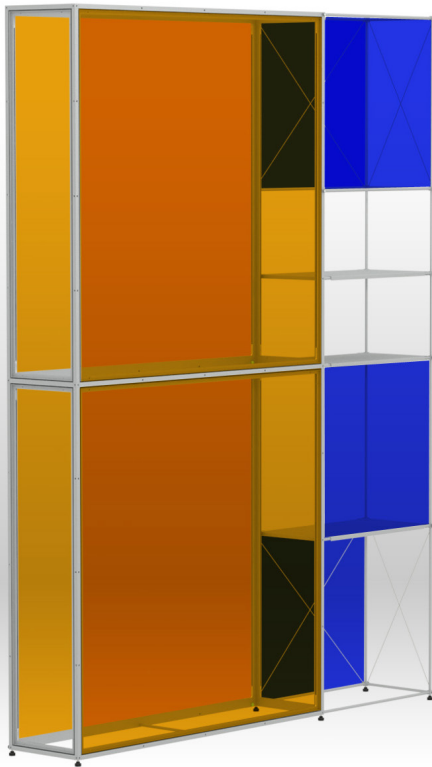


OSCAR

ASSEMBLING INSTRUCTIONS



OSCAR

ASSEMBLING INSTRUCTIONS

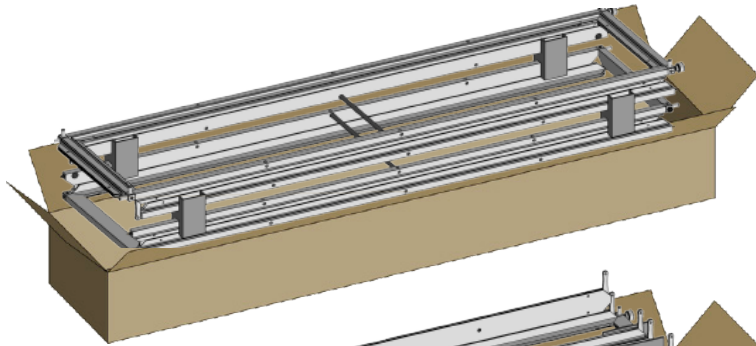


OSCAR

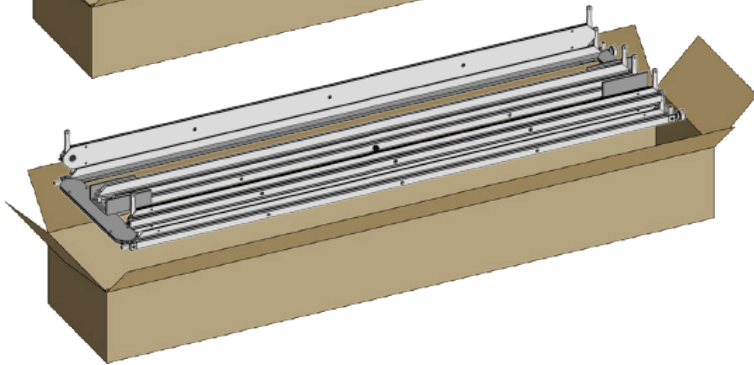
ASSEMBLING INSTRUCTION



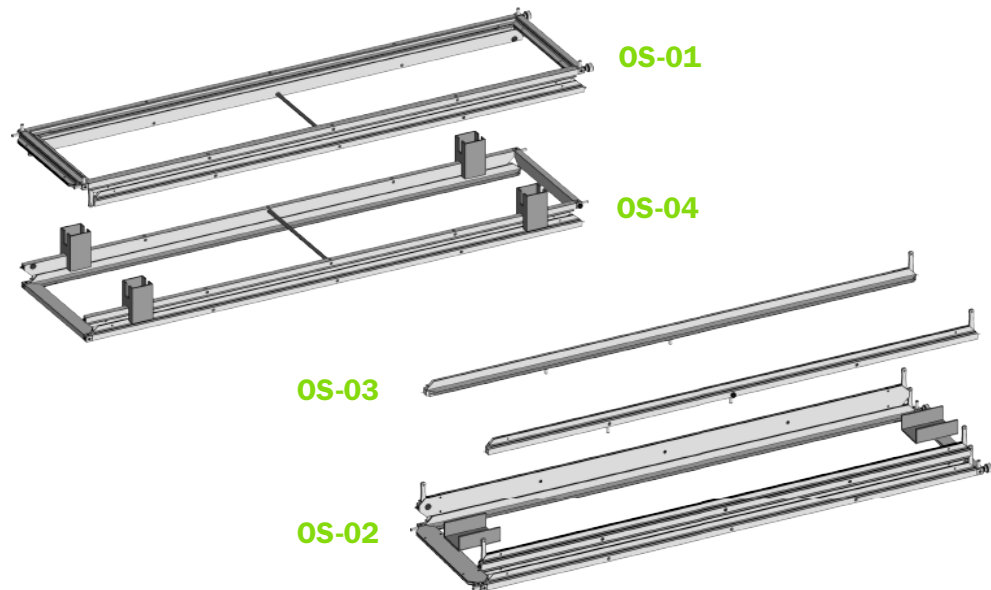
OPEN BOX 1



OPEN BOX 2

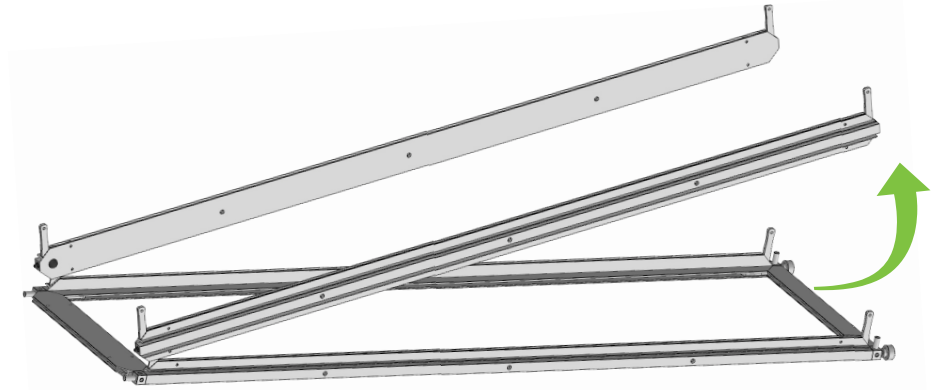


4 CLIC UP FRAMES



1

UNFOLD OS-01



2

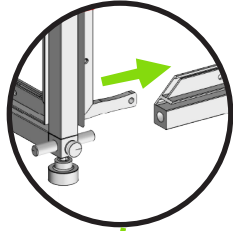
UNFOLD OS-02



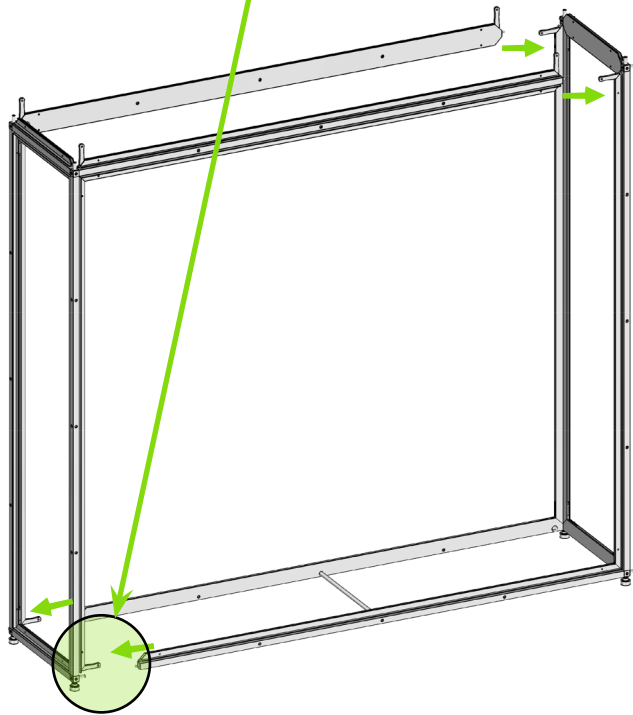


3

CONNECT OS-01 AND OS-02



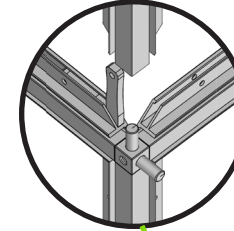
OS 02



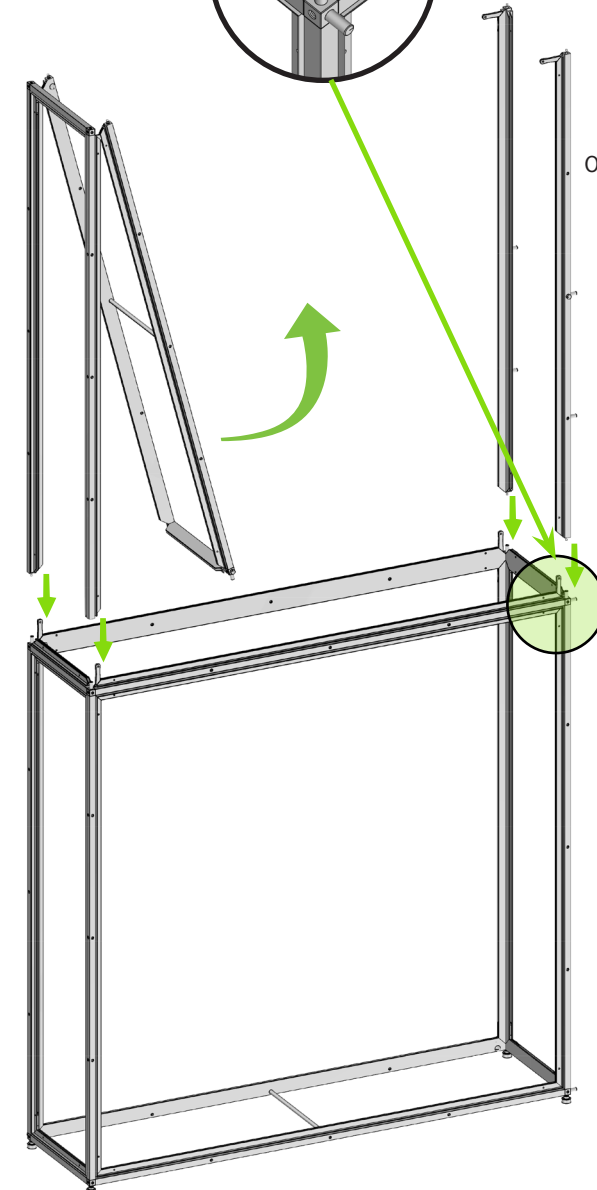
OS 01

5

CONNECT OS-04 FIRST
THEN LIFT FRAME



OS 04



OS 03

4

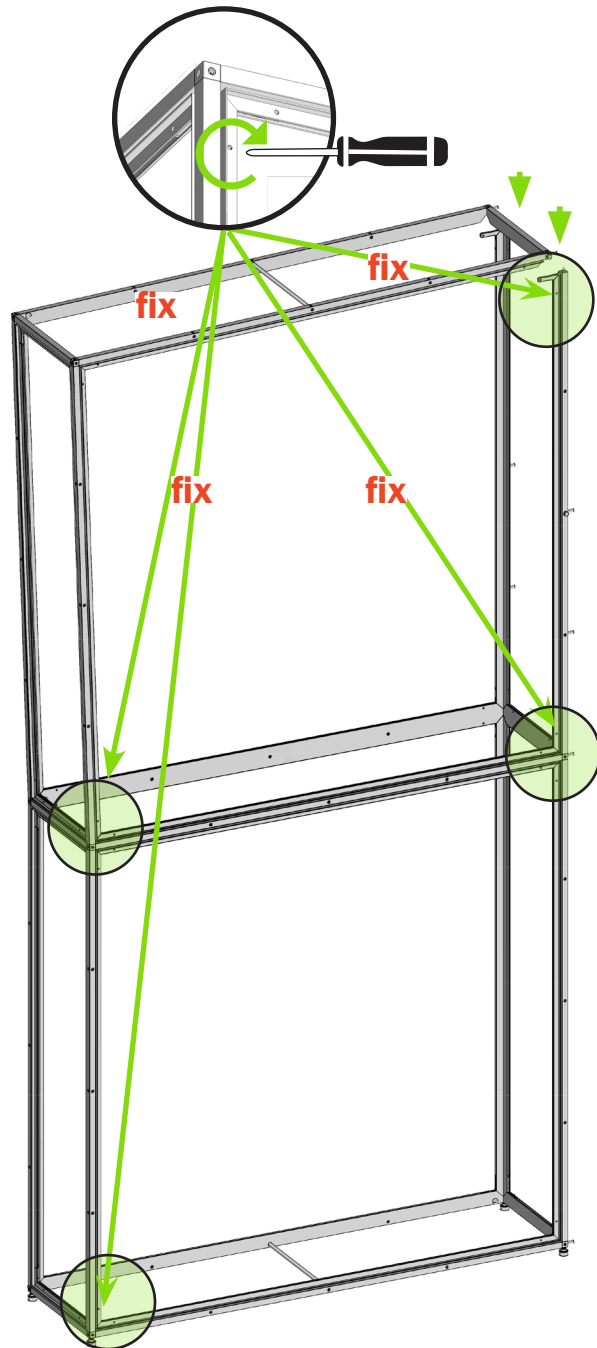
CONNECT
OS-03 FIRST

OSCAR

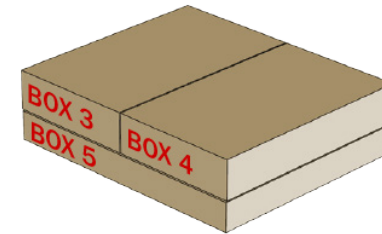
ASSEMBLING INSTRUCTIONS

6

CONNECT
OS-04 AND OS-03

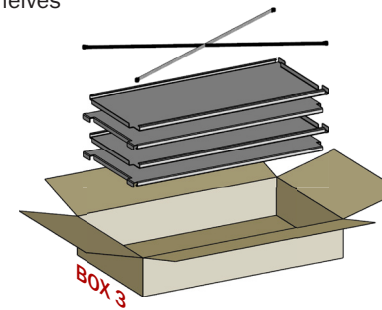


SUPPLIES SOFT BAG AND BOXES



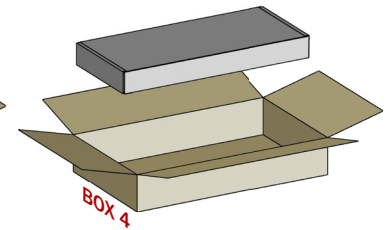
CARTON BOX 3

A30 cm x A60 cm diagonals
A30 cm x A60 cm shelves



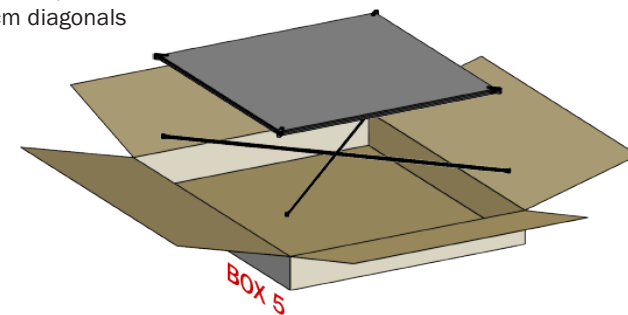
CARTON BOX 4

Material Box



CARTON BOX 5

A60 cm x A60 cm vinyls
A60 cm x A60 cm diagonals

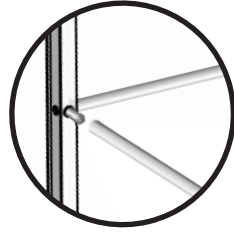


OSCAR

ASSEMBLING INSTRUCTIONS



MATERIAL BOX WITH:
clic cubes,
height adjusters
tubes A600 x ø10 mm
tubes A300 x ø10 mm

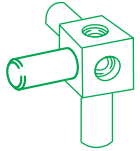


A600 mm 
A300 mm 

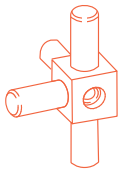
7

**CONNECT CLIC TUBES
MAGNETICALLY
WITH FRAME**

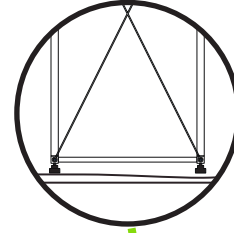
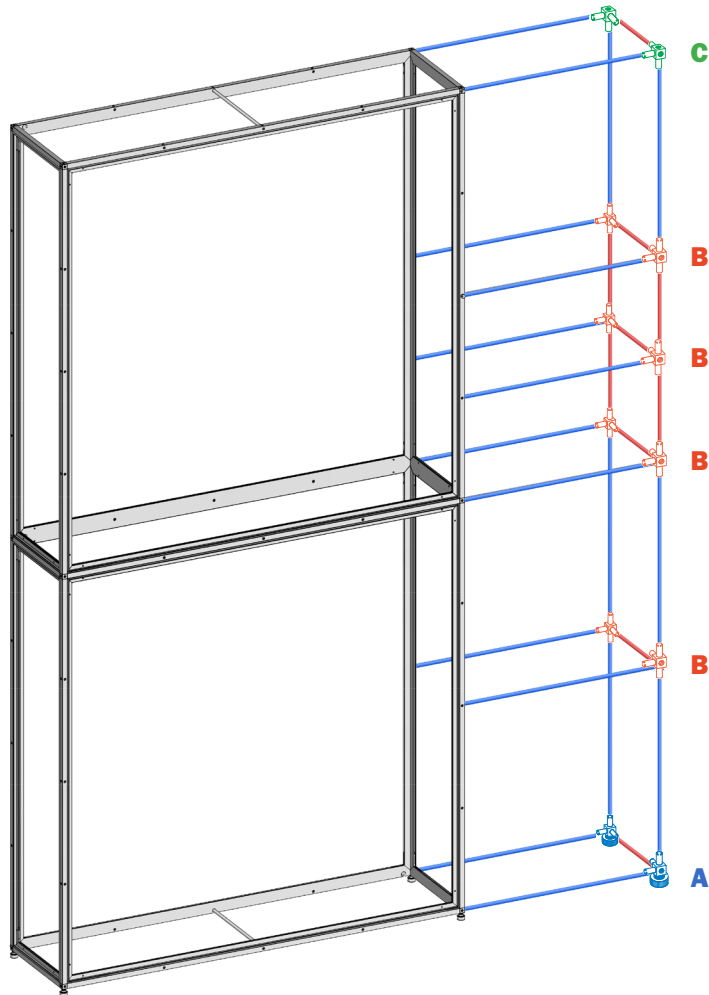
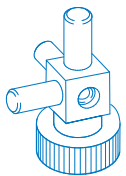
2 PIECES C



8 PIECES B

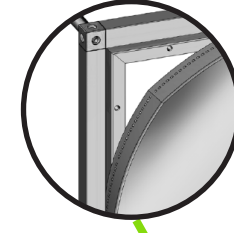


2 PIECES A



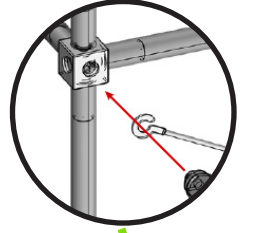
8

**ADJUST HEIGHT
BEFORE ASSEMBLING
DIAGONALS**



9

**TIGHTEN SCREWS
AFTER ASSEMBLING
ALL DIAGONALS**



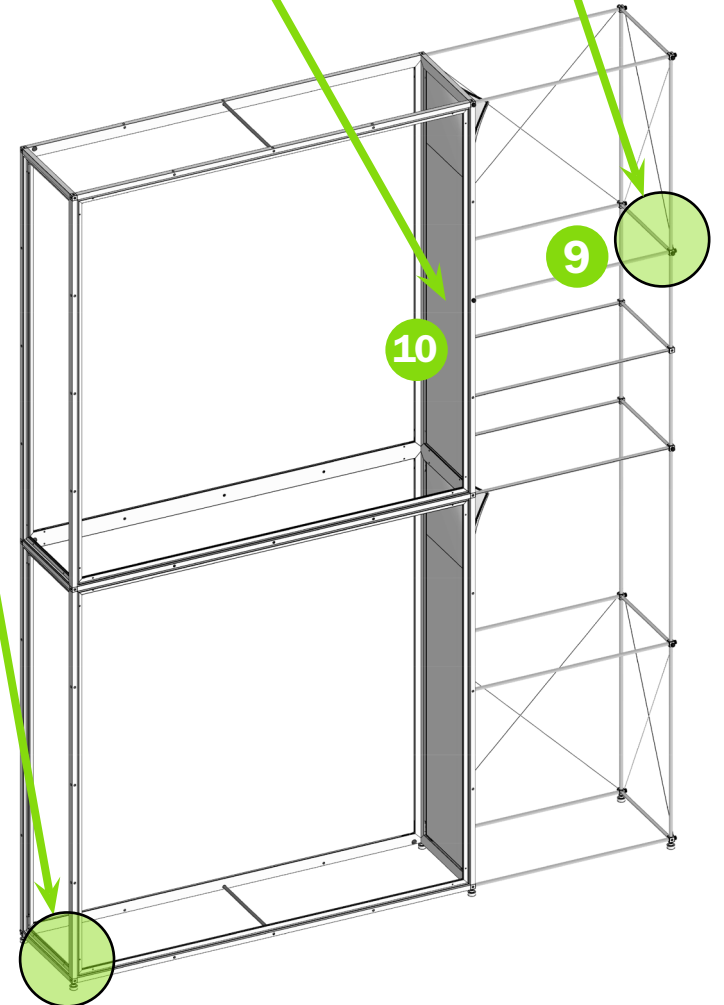
9

10

**ASSEMBLE
SIDE FABRICS
BEFORE SHELVES**

8

10

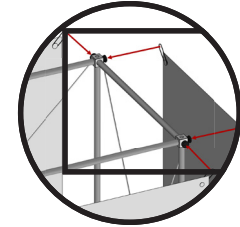
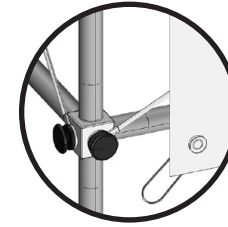
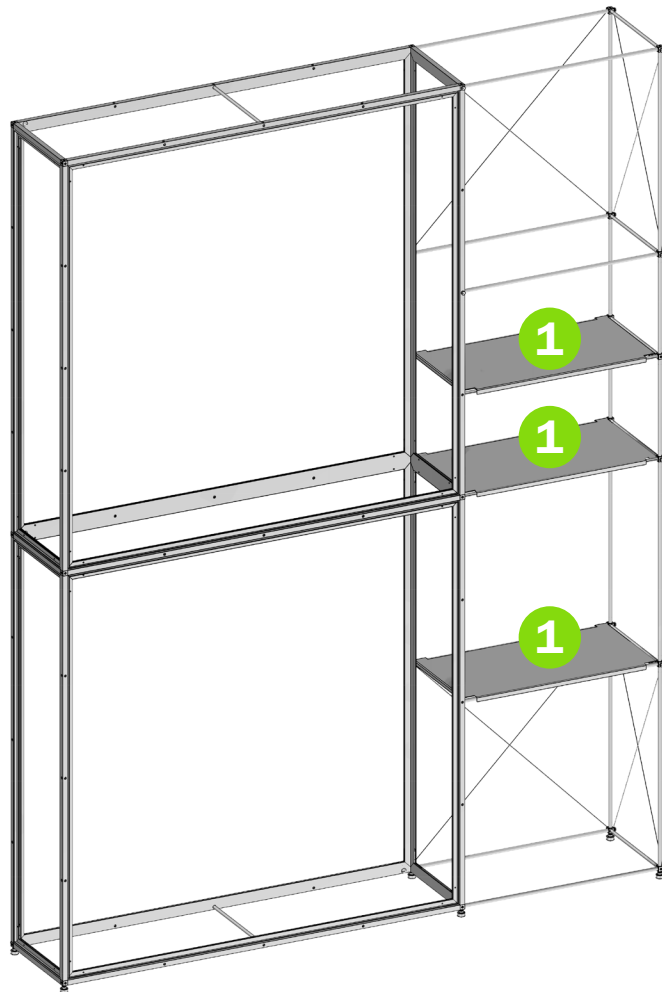


11

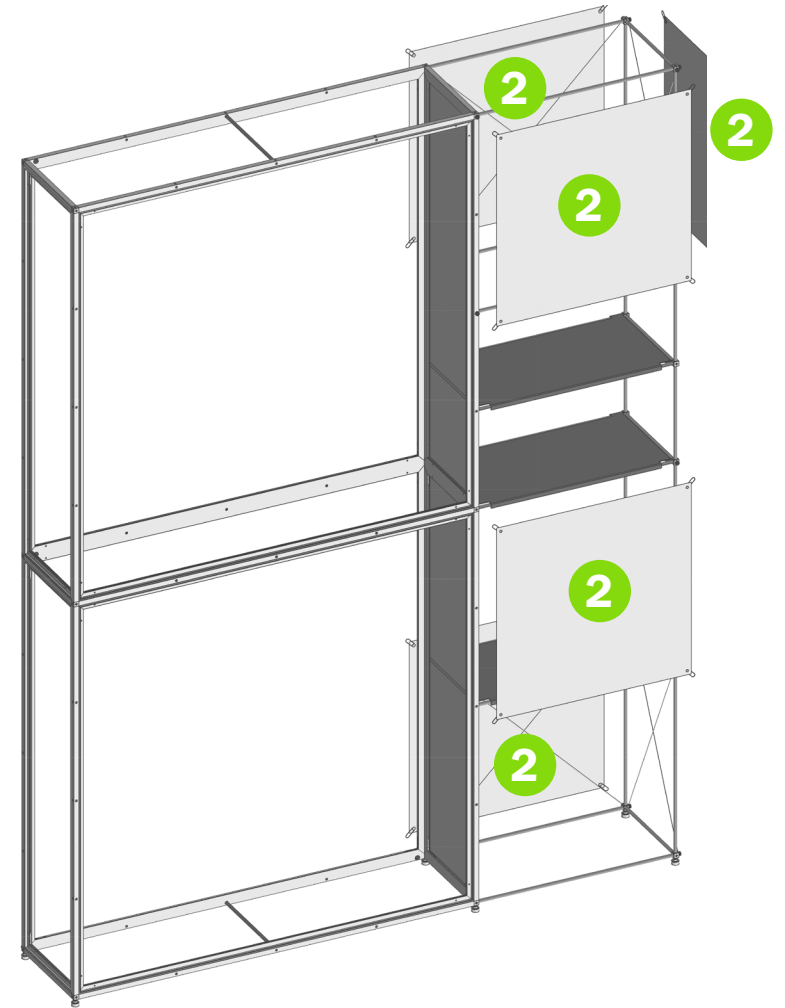
EQUIP THE UNIT



1 ASSEMBLE SHELVES



2 ATTACH VINYL PANELS USING ELASTIC O-RINGS

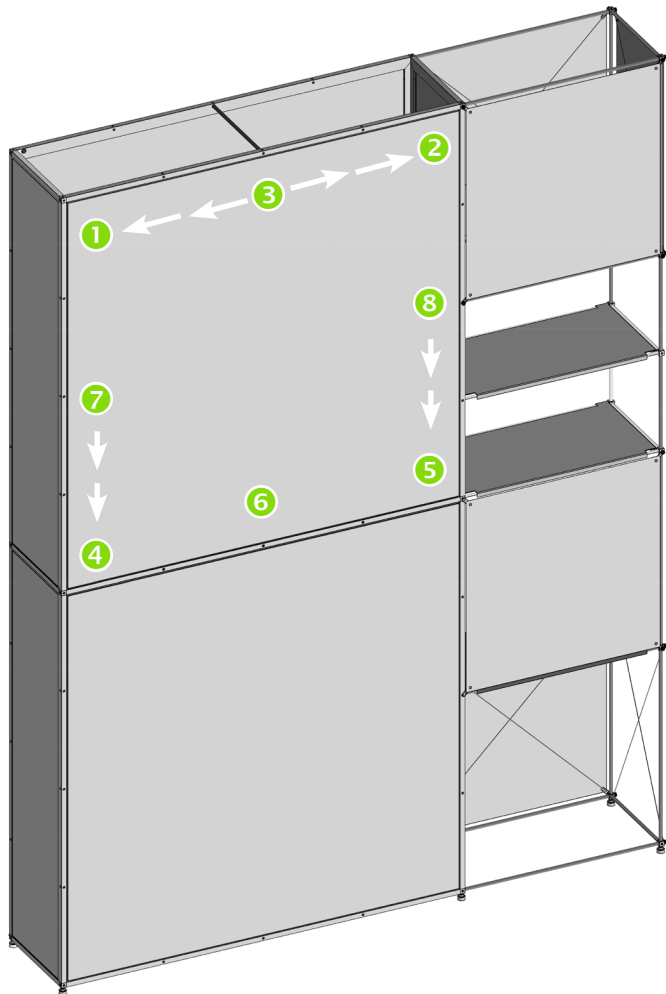


12

ATTACH FABRIC PANELS



- Attach top corners **1** and **2**
- Fix top edge and hang the fabric
- Attach corners **4** and **5**
- Put in fabric silicone in order of **6, 7, 8**



NOTES



OSCAR

ASSEMBLING INSTRUCTION
