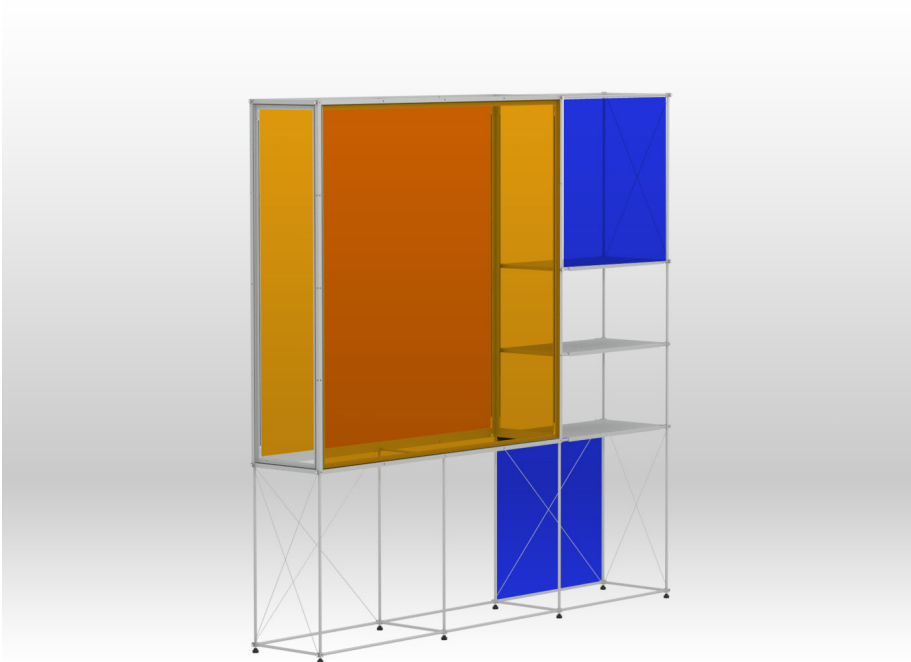


MIKE

ASSEMBLING INSTRUCTIONS



MIKE

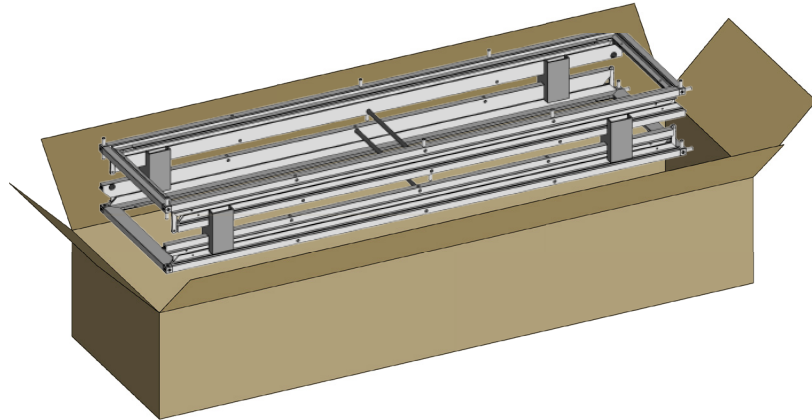
ASSEMBLING INSTRUCTIONS



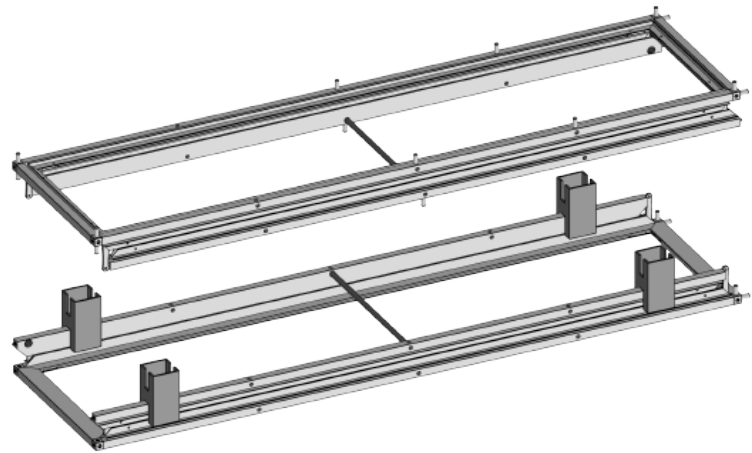
MIKE

ASSEMBLING INSTRUCTIONS

OPEN BOX 1



FRAMES MI-01 / MI-02



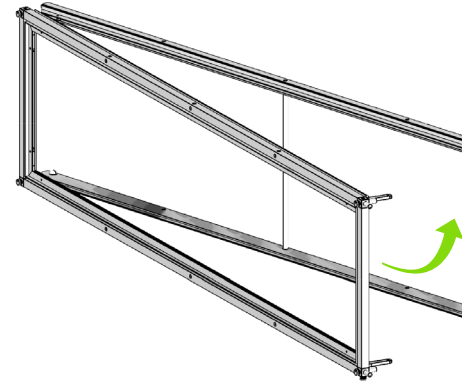
MI-01

MI-02

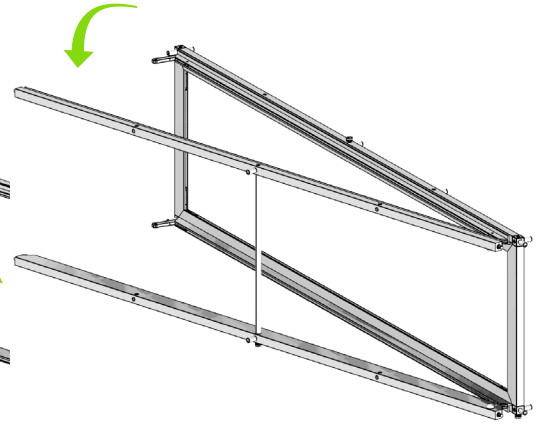
1

UNFOLD FRAMES

UNFOLD MI-01

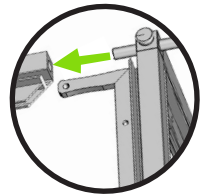


UNFOLD MI-02

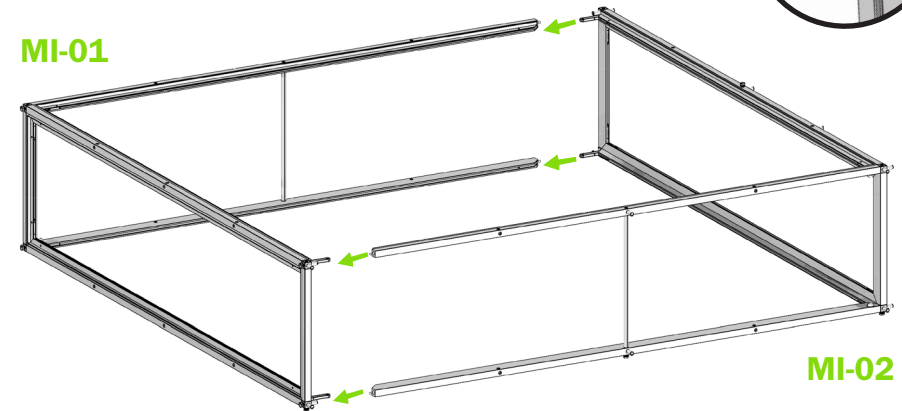


2

CONNECT MI-01 AND MI-02



MI-01

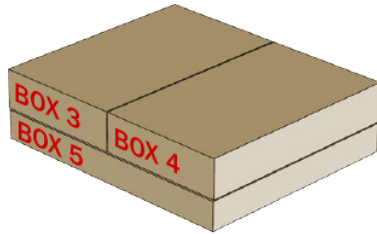


MI-02

MIKE

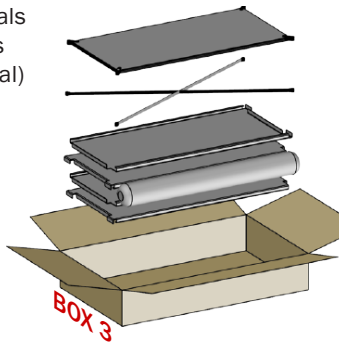
ASSEMBLING INSTRUCTIONS

SUPPLIES SOFT BAG AND BOXES



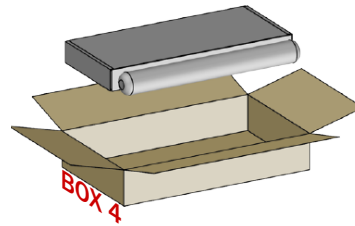
CARTON BOX 3

A30 x A60 cm diagonals
A30 x A60 cm shelves
LED spot tube (optional)



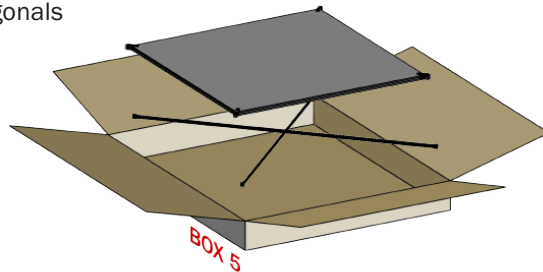
CARTON BOX 4

Material Box
LED spot tube (optional)



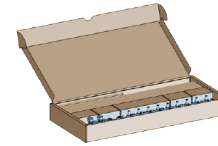
CARTON BOX 5

A60 x A60 cm vinyls
A60 x A60 cm diagonals



3

CONNECT CLIC TUBES
MAGNETICALLY WITH FRAME



A600 mm

A300 mm



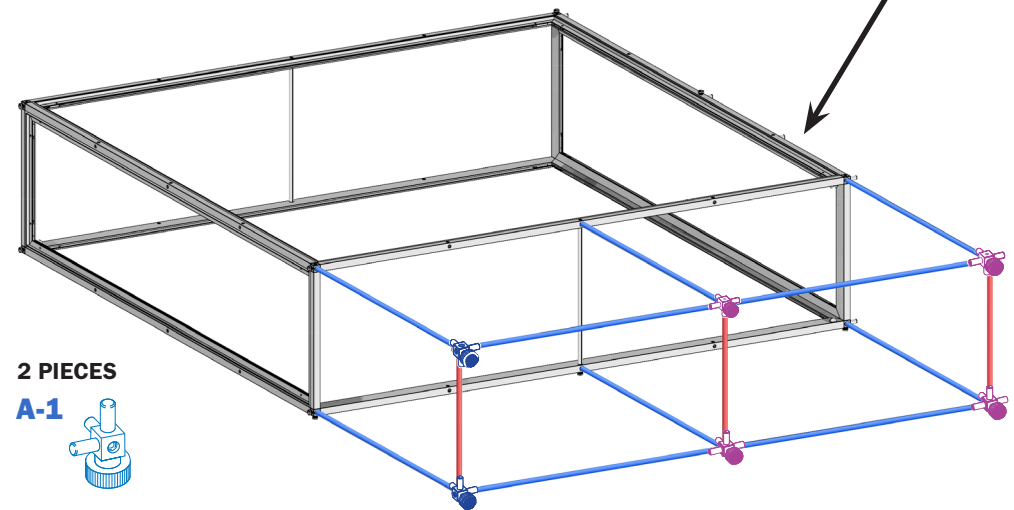
MATERIAL BOX WITH:

clic cubes,
height adjusters
tubes A600 x ø10 mm
tubes A300 x ø10 mm

4

CONNECT CLIC TUBES MAGNETICALLY
WITH HEIGHT ADJUSTERS (CONNECTORS)

SIDE WITH CLIC PINS



2 PIECES

A-1



4 PIECES

A 2

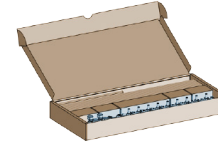
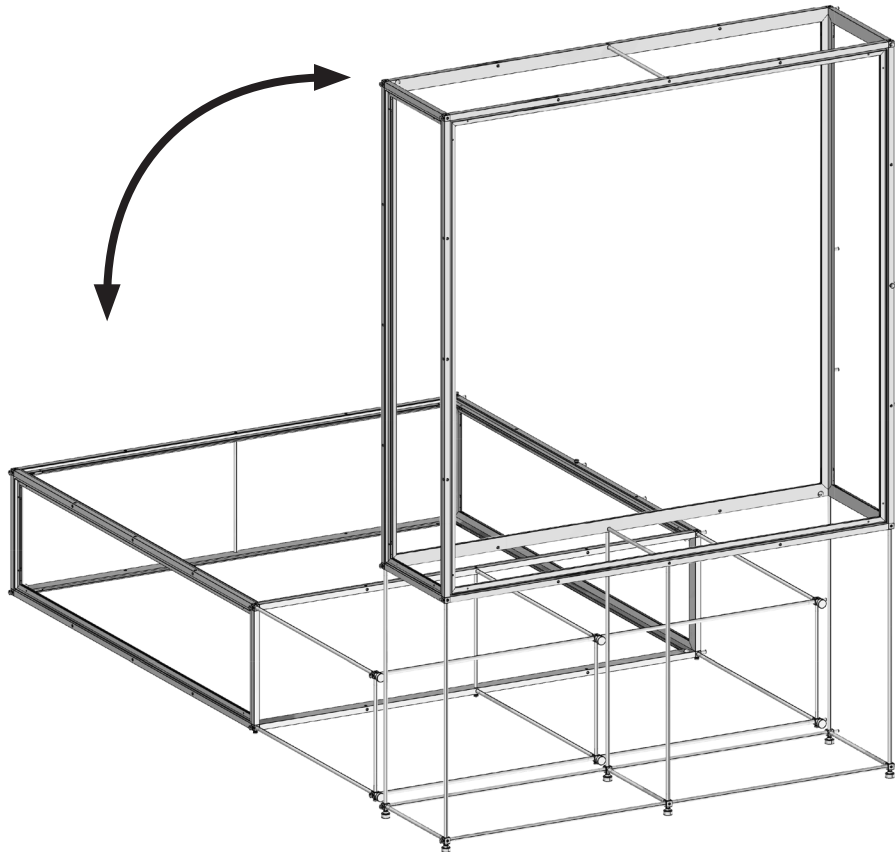


MIKE

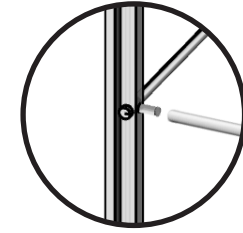
ASSEMBLING INSTRUCTIONS

5

LIFT THE UNIT UP



MATERIAL BOX WITH:
clic cubes,
height adjusters
tubes A600 x \varnothing 10 mm
tubes A300 x \varnothing 10 mm



A600 mm



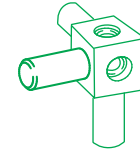
A300 mm



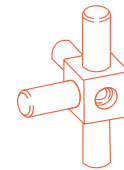
6

CONNECT CLIC TUBES MAGNETICALLY WITH FRAME

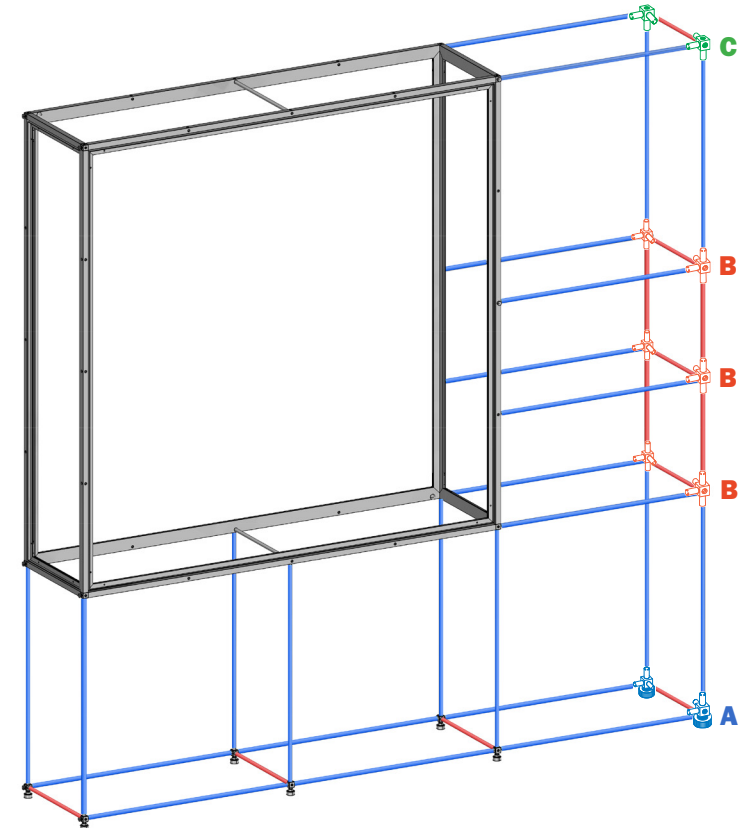
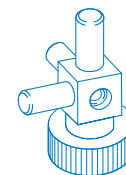
2 PIECES **C**



6 PIECES **B**

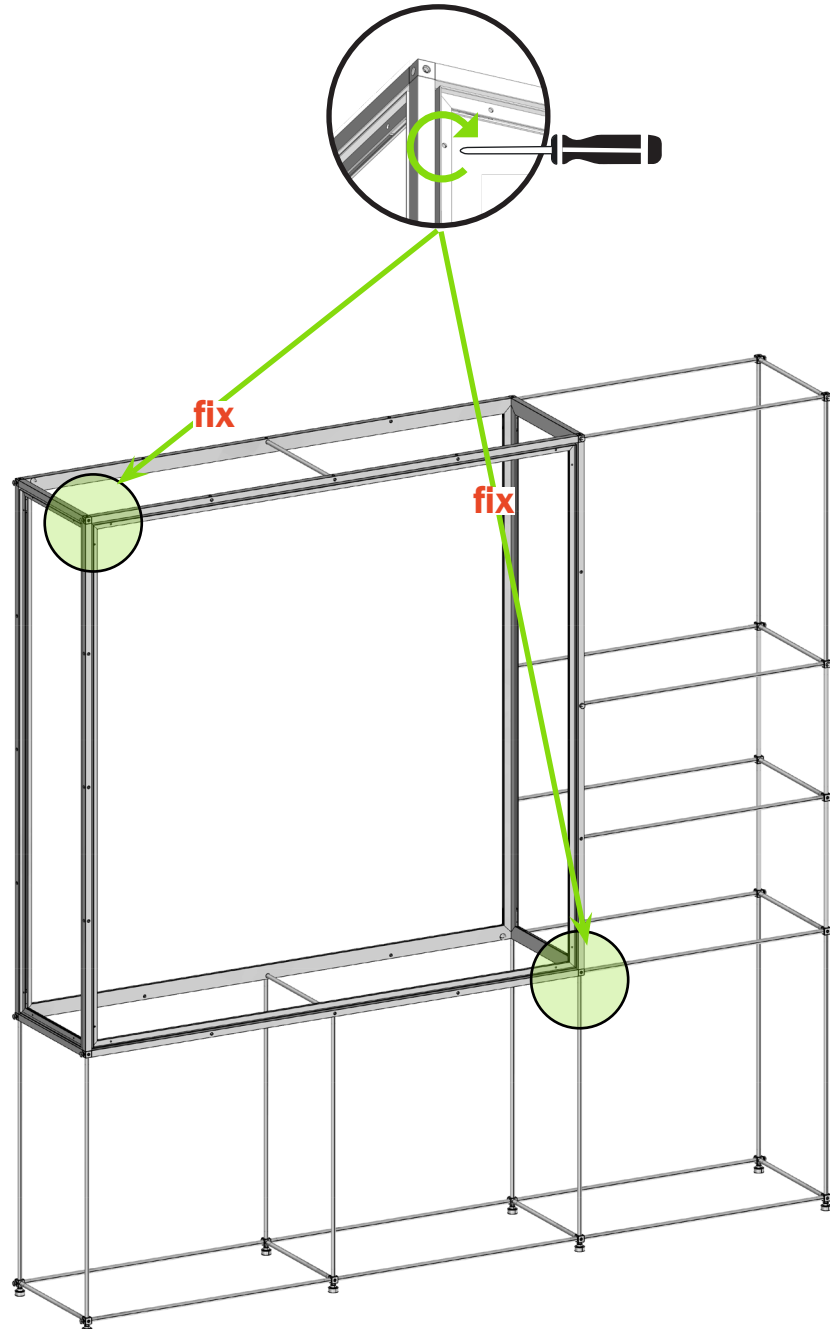


2 PIECES **A**



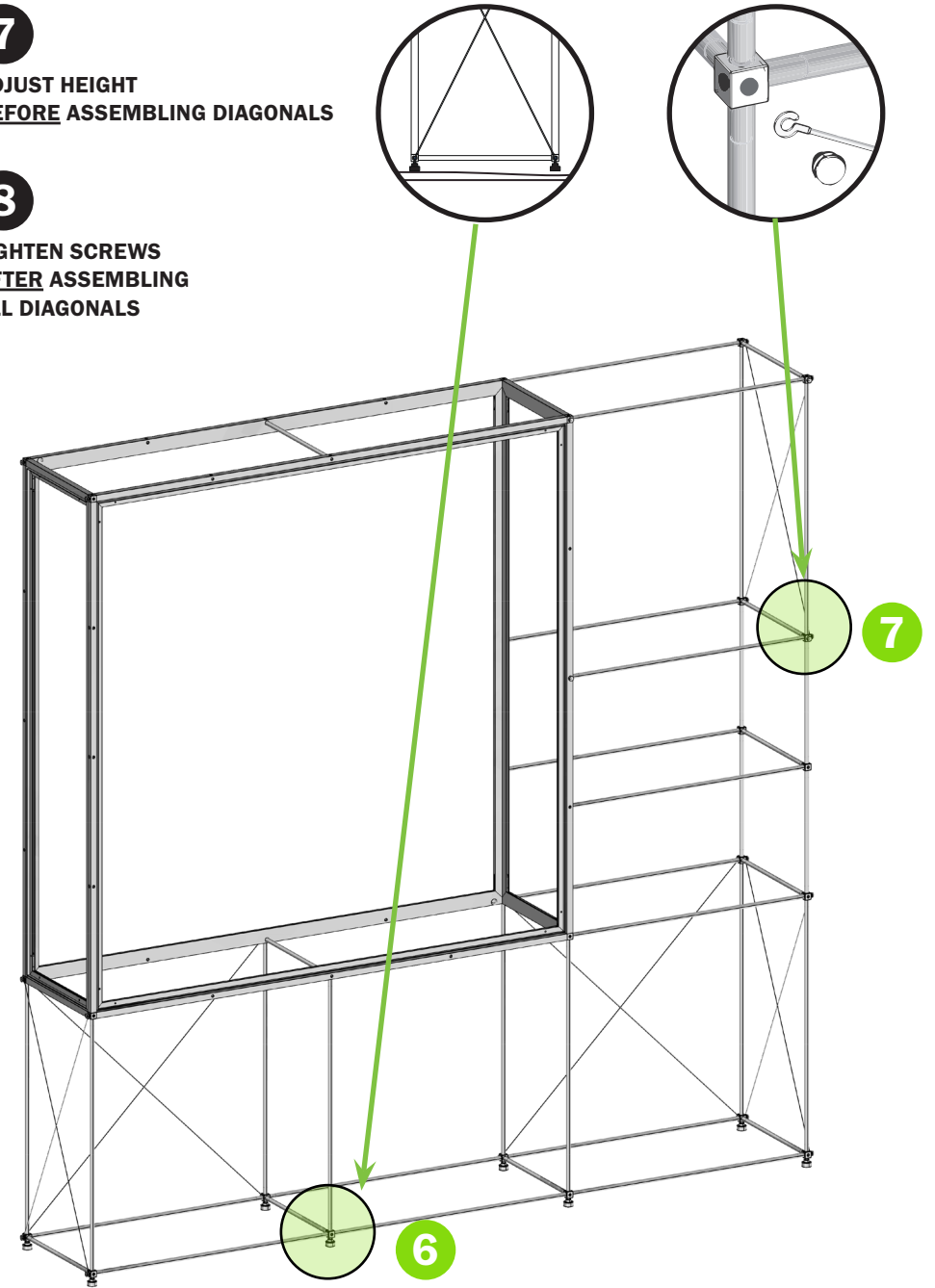
MIKE

ASSEMBLING INSTRUCTIONS



7
ADJUST HEIGHT
BEFORE ASSEMBLING DIAGONALS

8
TIGHTEN SCREWS
AFTER ASSEMBLING
ALL DIAGONALS



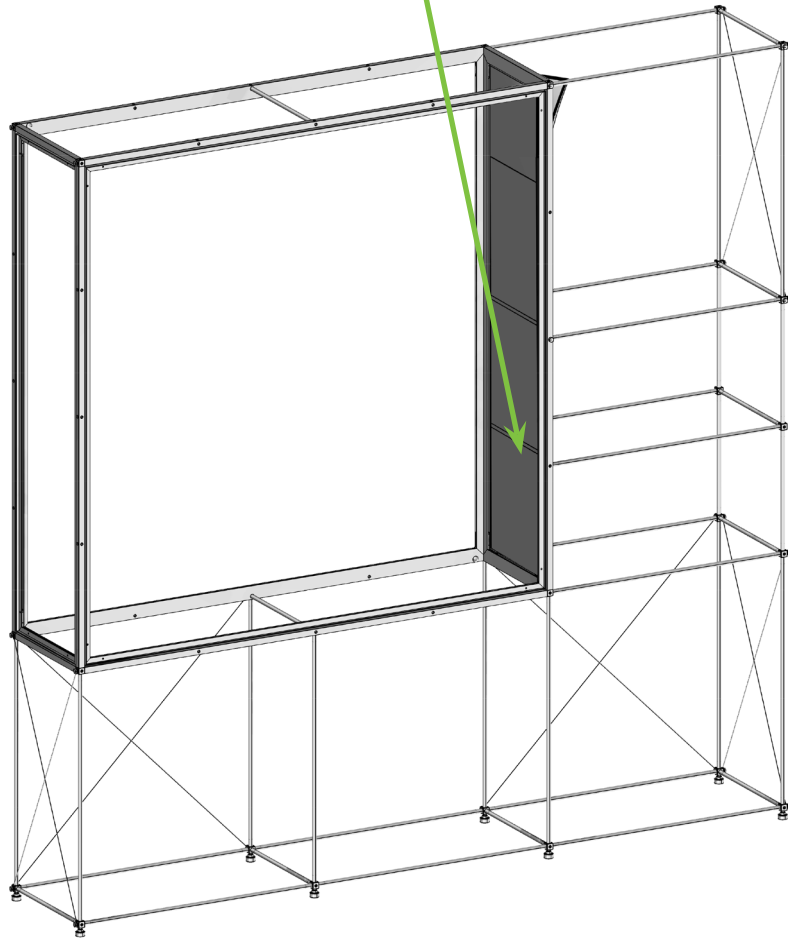
MIKE

ASSEMBLING INSTRUCTIONS



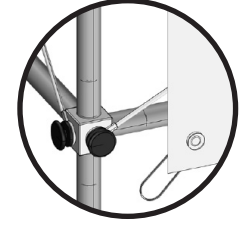
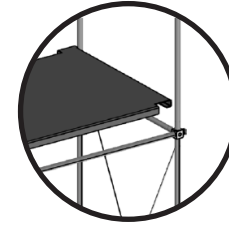
9

ASSEMBLE FABRIC
BEFORE SHELVES



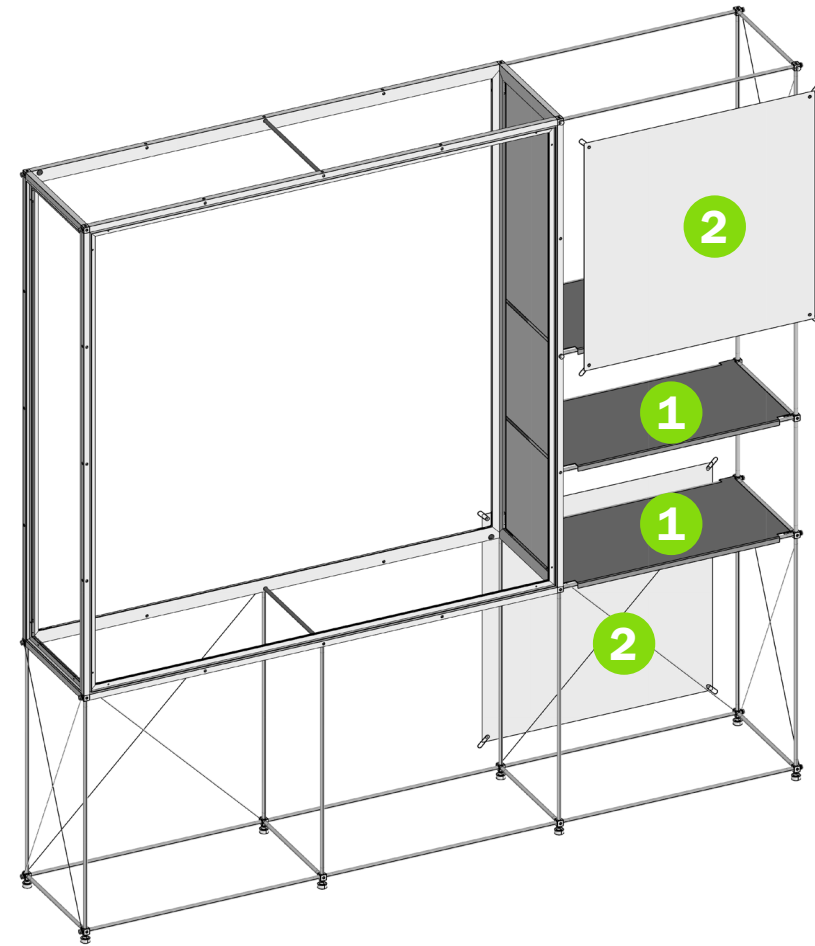
10

EQUIPE THE UNIT



1 ASSEMBLE SHELVES

2 ATTACH VINYL PANELS USING ELASTIC O-RINGS



MIKE

ASSEMBLING INSTRUCTION
