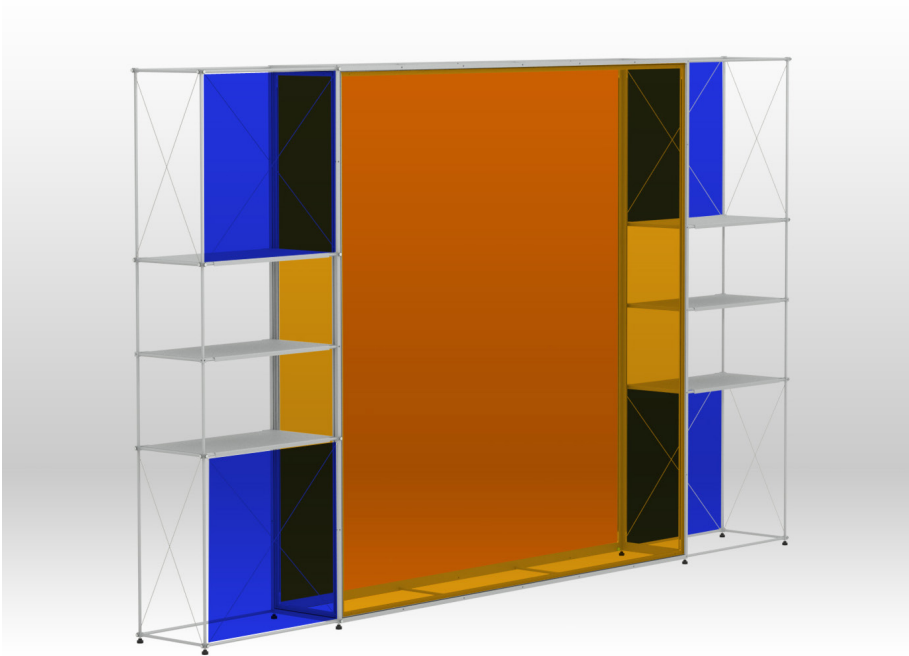


CHARLY

ASSEMBLING INSTRUCTIONS



CHARLY

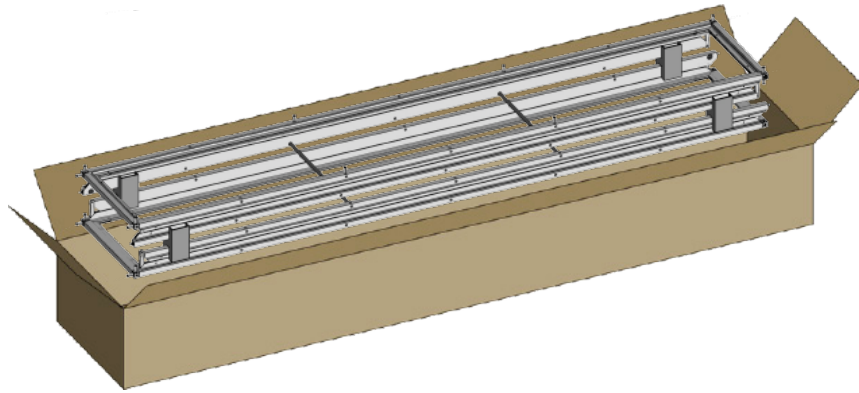
ASSEMBLING INSTRUCTIONS



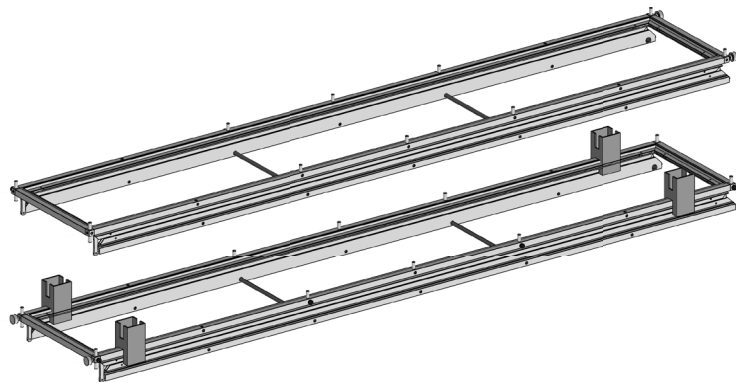
CHARLY

ASSEMBLING INSTRUCTIONS

OPEN BOX 1



FRAMES CH-01 / CH-02

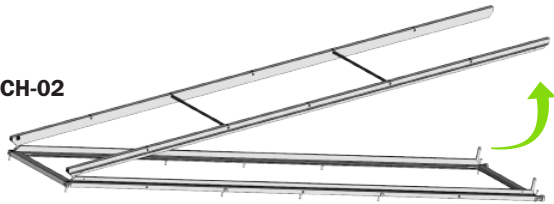


CH-01

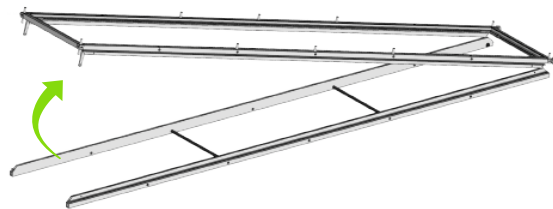
CH-02

1

UNFOLD CH-02

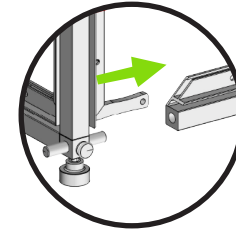


UNFOLD CH-01

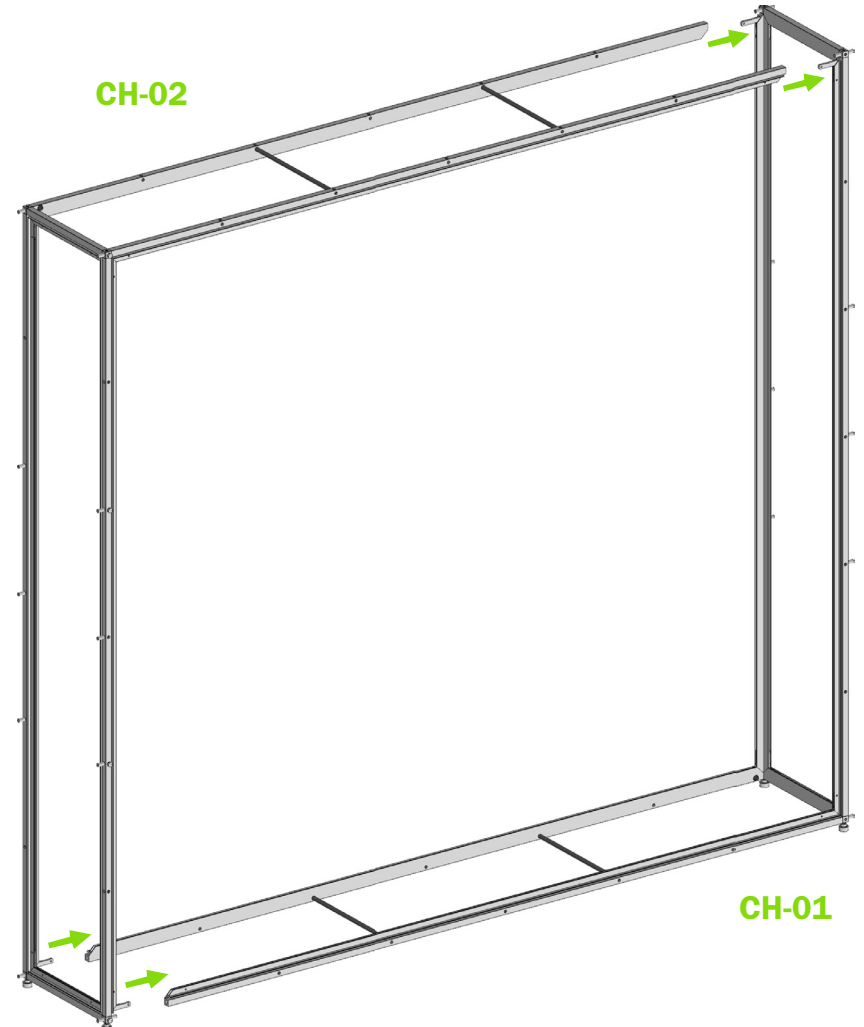


2

CONNECT CH-01 AND CH-02



CH-02

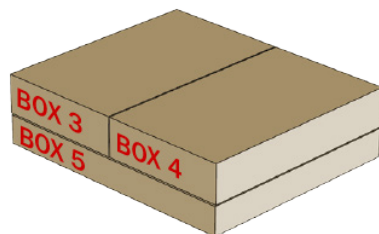


CH-01

CHARLY

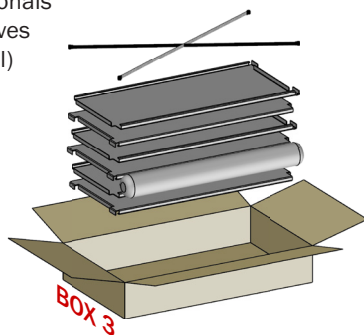
ASSEMBLING INSTRUCTIONS

SUPPLIES SOFT BAG AND BOXES



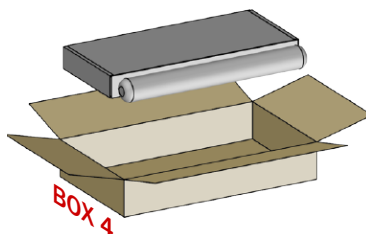
CARTON BOX 3

A30 cm x A60 cm diagonals
A30 cm x A60 cm shelves
LED spot tube (optional)



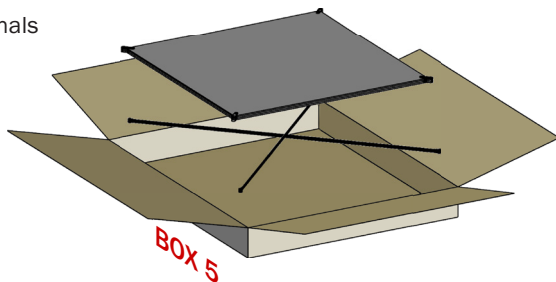
CARTON BOX 4

Material Box
LED spot tube (optional)



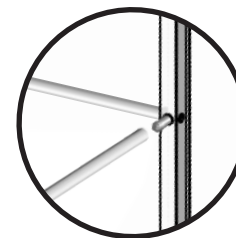
CARTON BOX 5

A60 cm x A60 cm vinyls
A60 cm x A60 cm diagonals



3

CONNECT CLIC TUBES MAGNETICALLY WITH THE FRAME



A600 mm

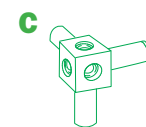


A300 mm

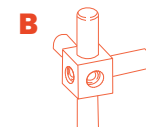


MATERIAL BOX WITH:

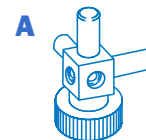
clic cubes,
height adjusters
tubes A600 x ø10 mm
tubes A300 x ø10 mm



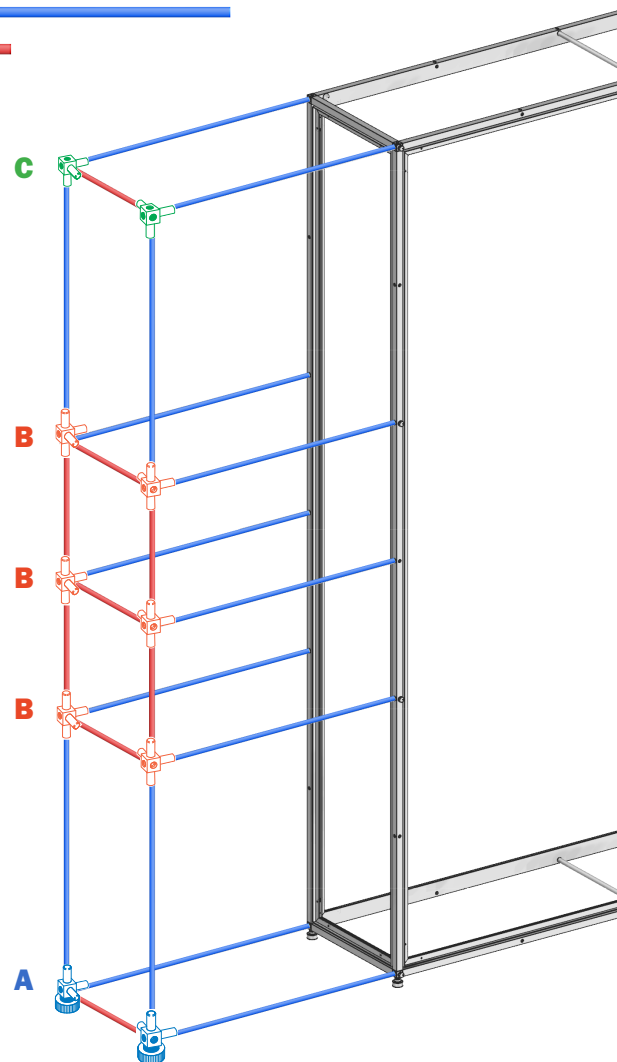
2 PIECES
Frame left side
2 PIECES
Frame right side



6 PIECES
Frame left side
6 PIECES
Frame right side





2 PIECES
Frame left side
2 PIECES
Frame right side



CHARLY

ASSEMBLING INSTRUCTIONS



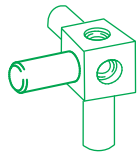
A600 mm 
A300 mm 

MATERIAL BOX WITH:

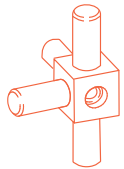
clic cubes,
height adjusters
tubes A600 x ø10 mm
tubes A300 x ø10 mm

CONNECT CLIC TUBES MAGNETICALLY WITH FRAMES AND CONNECTORS

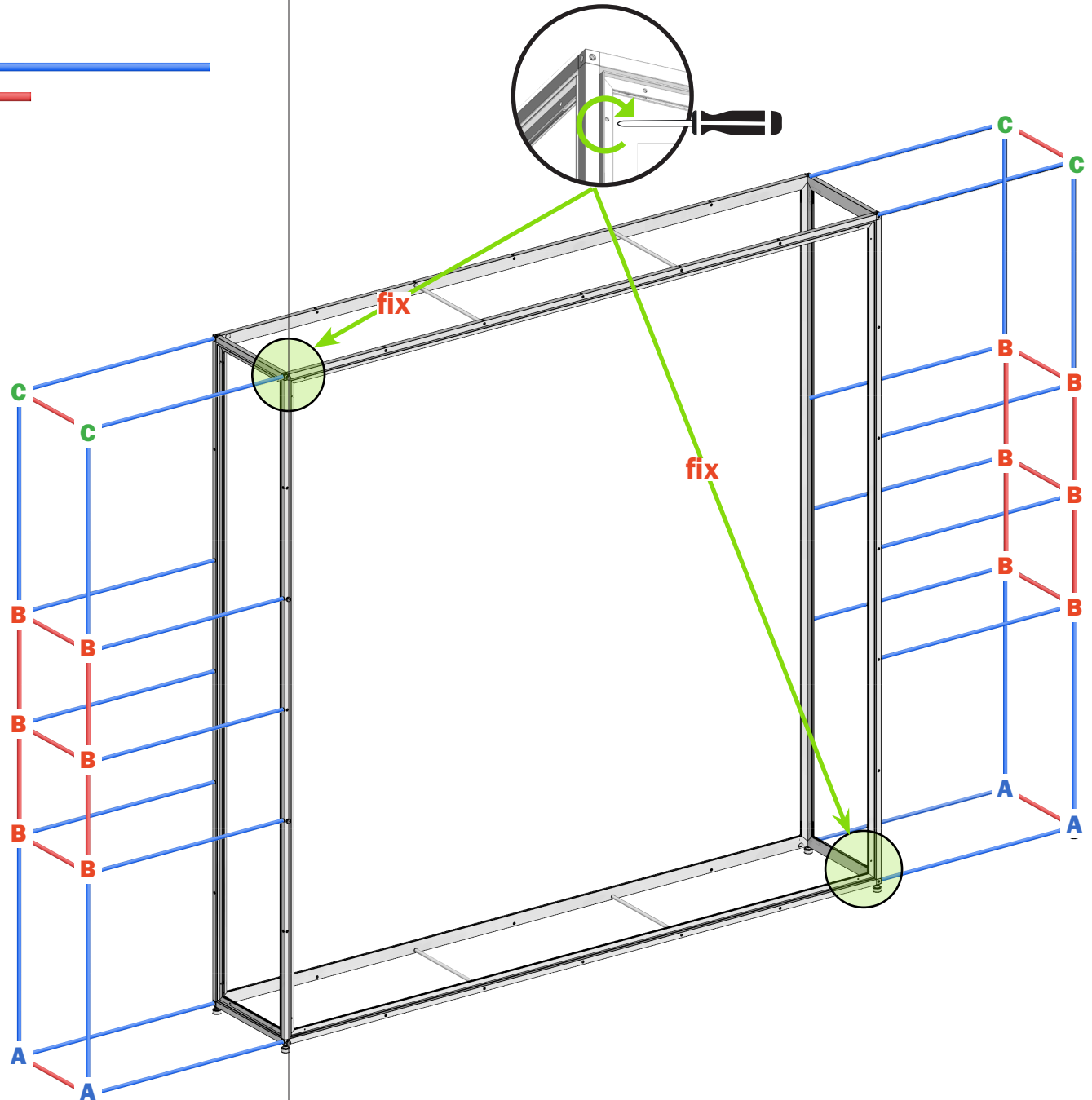
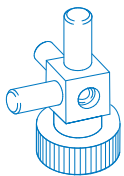
4 PIECES **C**



12 PIECES **B**



4 PIECES **A**



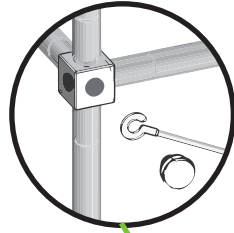
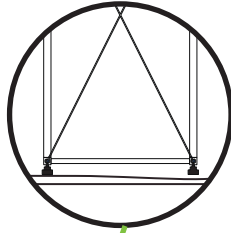
CHARLY

ASSEMBLING INSTRUCTIONS



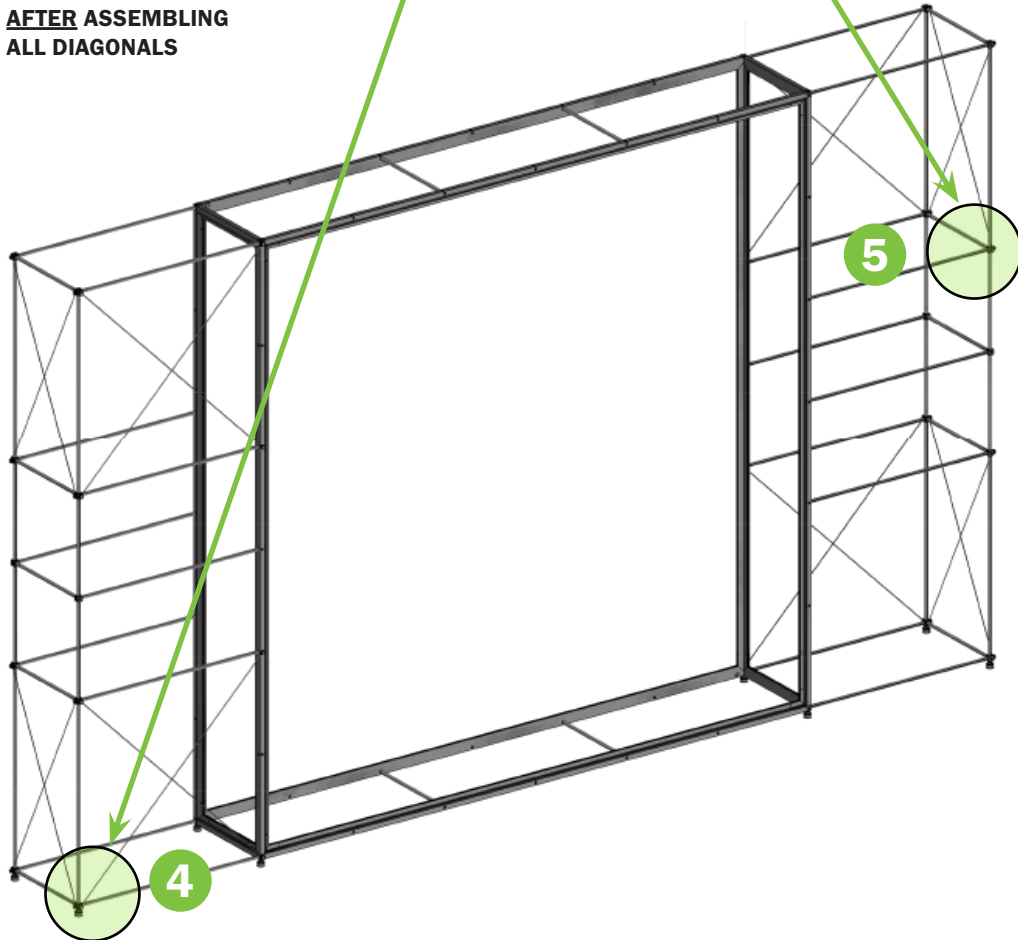
4

**ADJUST HEIGHT
BEFORE ASSEMBLING
DIAGONALS**



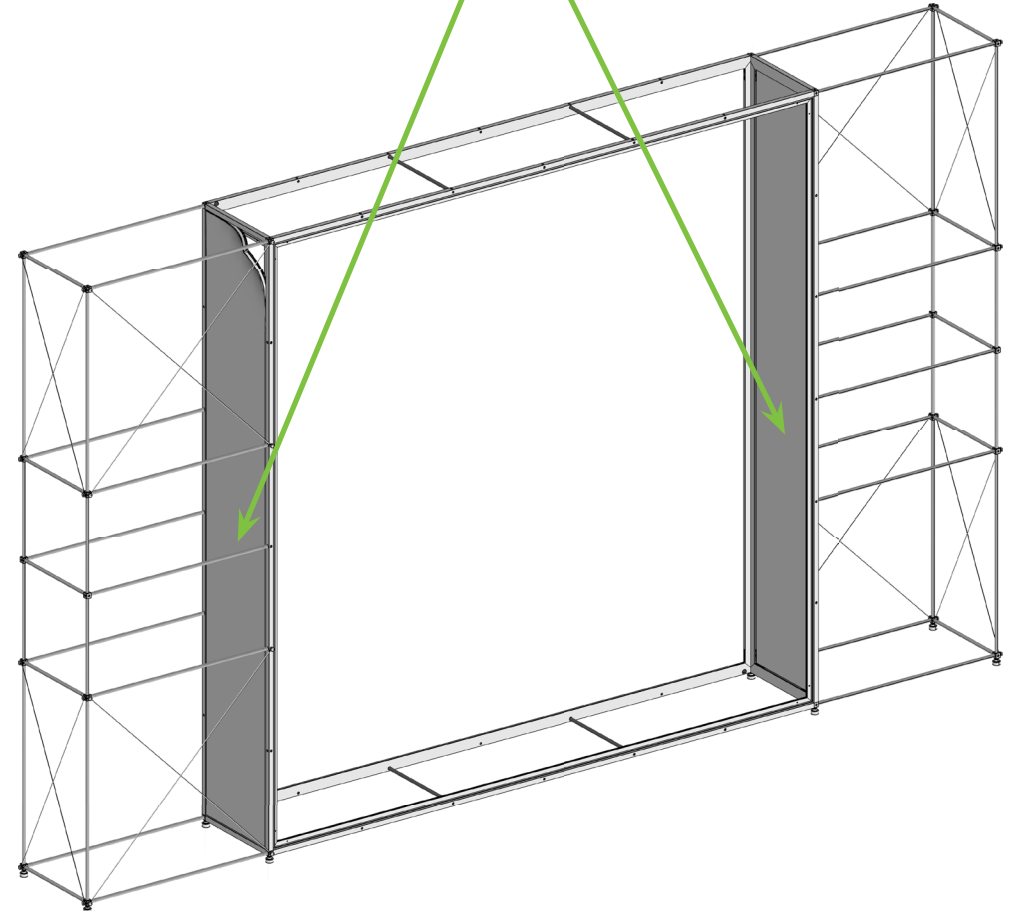
5

**TIGHTEN SCREWS
AFTER ASSEMBLING
ALL DIAGONALS**



6

**ASSEMBLE FABRIC
BEFORE SHELVES**



CHARLY

ASSEMBLING INSTRUCTIONS

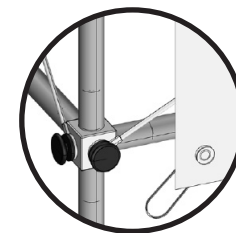
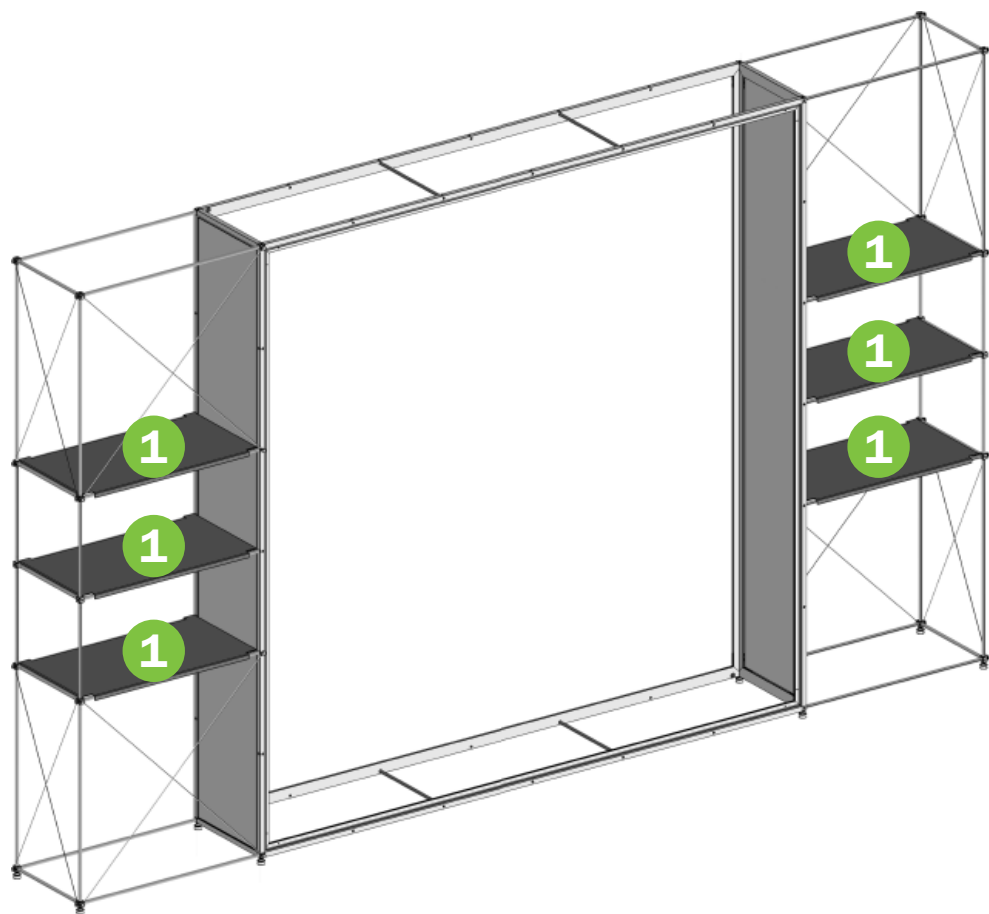


7

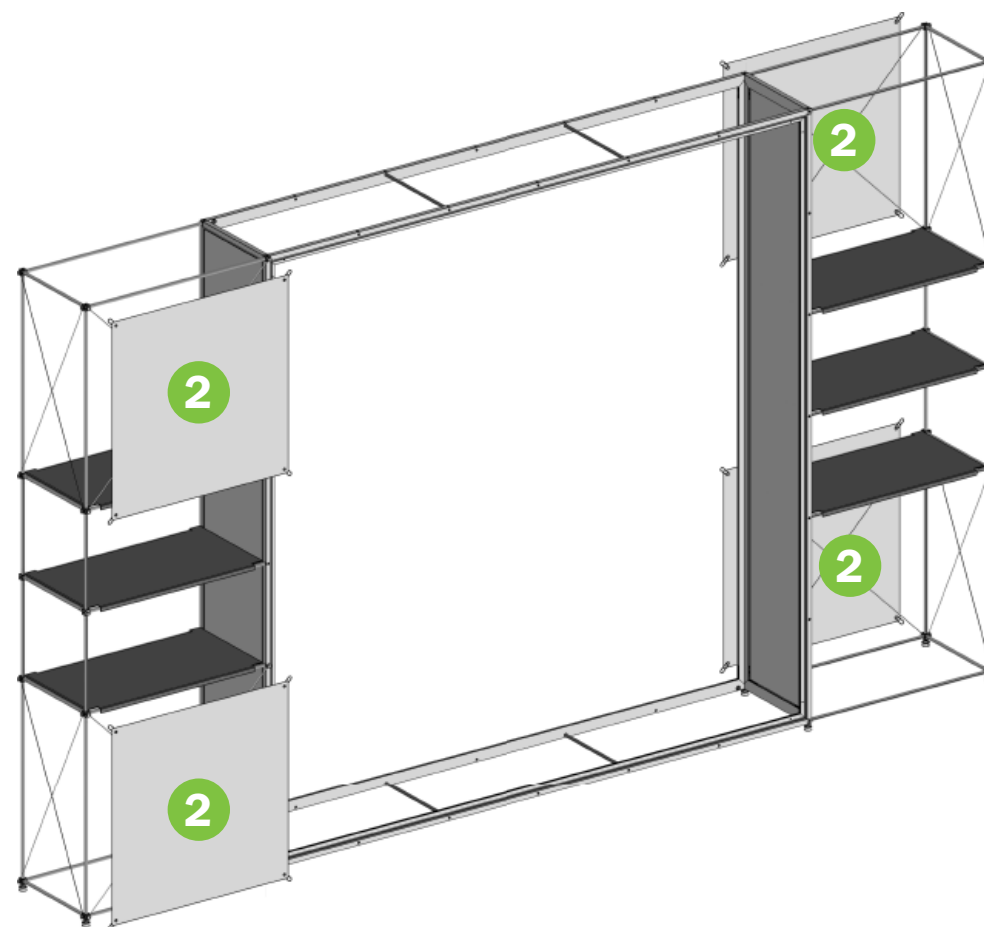
EQUIPE THE UNIT



1 ASSEMBLE SHELVES



2 ATTACH VINYL PANELS USING ELASTIC O-RINGS



CHARLY

ASSEMBLING INSTRUCTIONS
