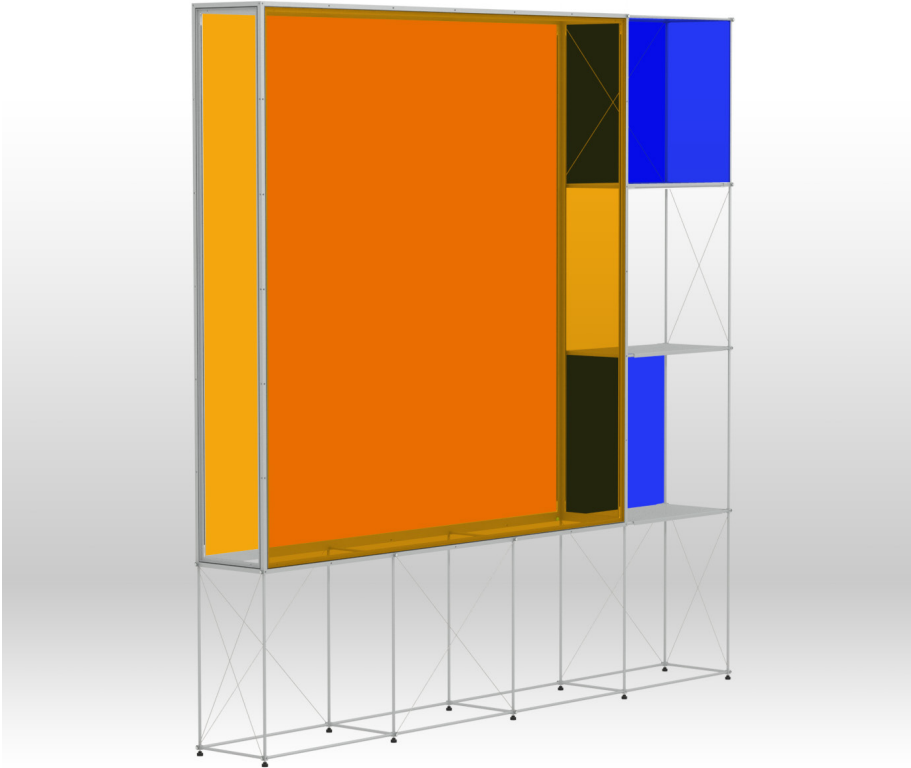


BRAVO

ASSEMBLING INSTRUCTIONS



BRAVO

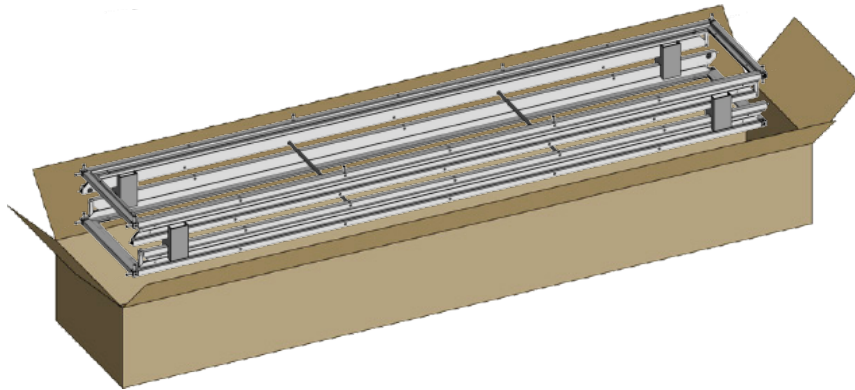
ASSEMBLING INSTRUCTIONS



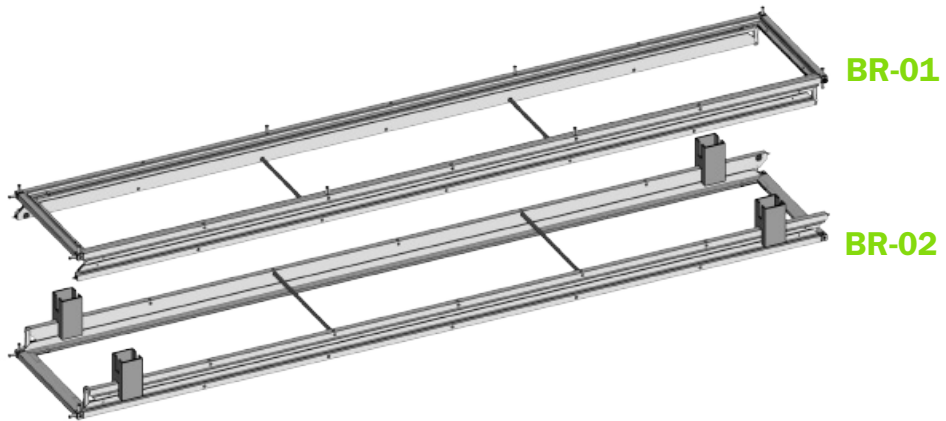
BRAVO

ASSEMBLING INSTRUCTIONS

OPEN BOX 1



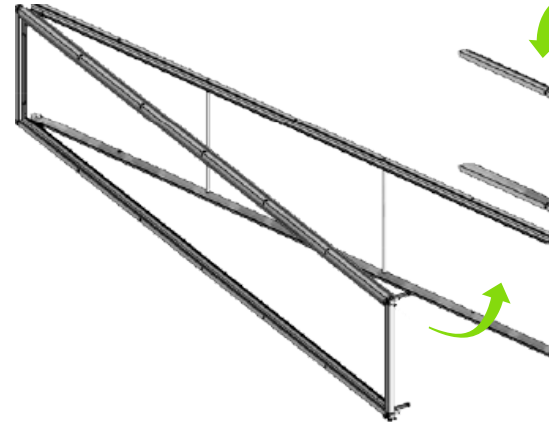
FRAMES BR-01 / BR-02



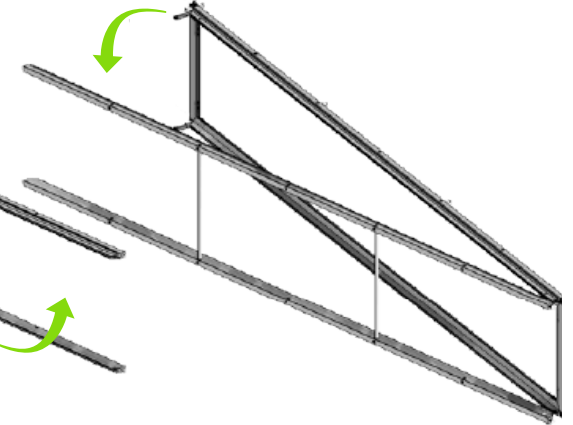
1

UNFOLD FRAMES

UNFOLD BR-01



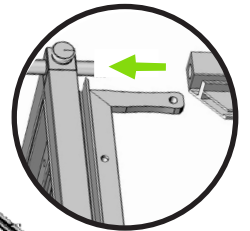
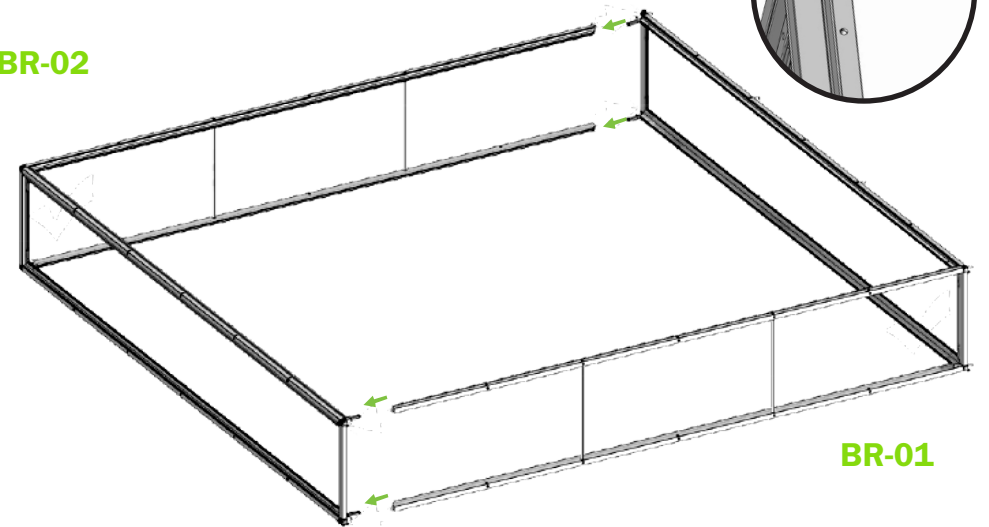
UNFOLD BR-02



2

CONNECT BR-01 AND BR-02

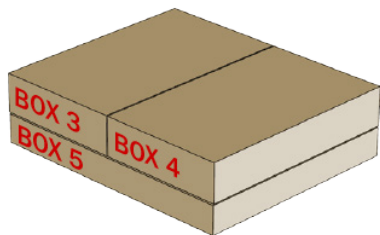
BR-02



BRAVO

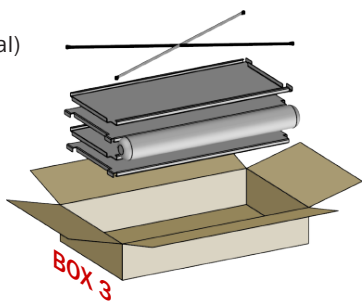
ASSEMBLING INSTRUCTIONS

SUPPLIES SOFT BAG AND BOXES



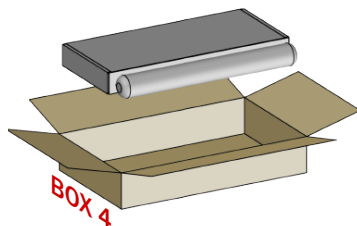
CARTON BOX 3

A30 x A60 cm diagonals
A30 x A60 cm shelves
LED spot tube (optional)



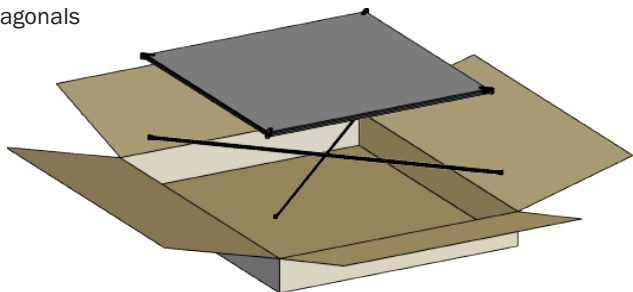
CARTON BOX 4

Material Box
LED spot tube (optional)



CARTON BOX 5

A60 x A60 cm vinyls
A60 x A60 cm diagonals



3

CONNECT CLIC TUBES MAGNETICALLY WITH FRAME



A600 mm



A300 mm

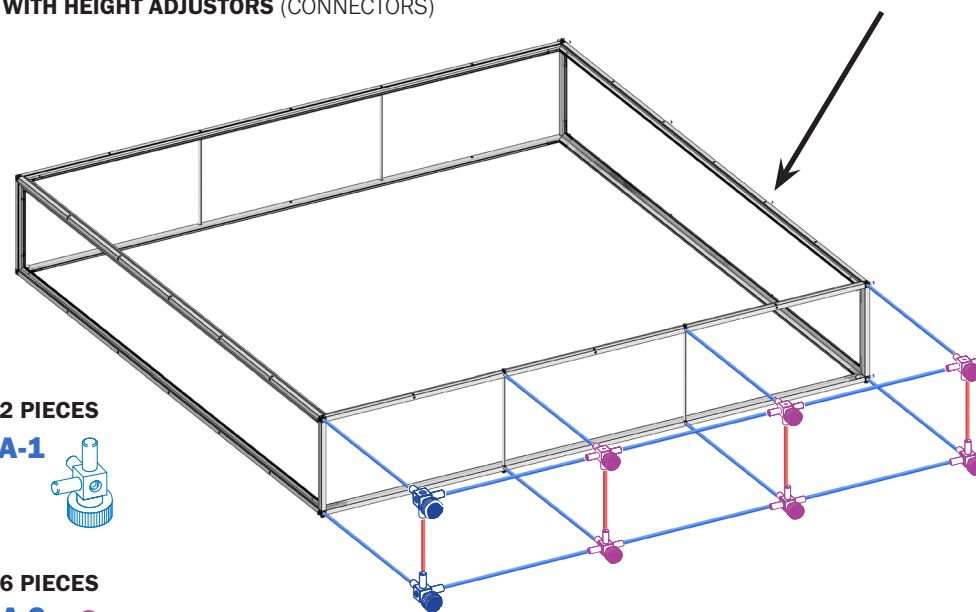


MATERIAL BOX WITH:

clic cubes,
height adjusters
tubes A600 x \varnothing 10 mm
tubes A300 x \varnothing 10 mm

CONNECT CLIC TUBES MAGNETICALLY WITH HEIGHT ADJUSTERS (CONNECTORS)

SIDE WITH CLIC PINS



2 PIECES

A-1



6 PIECES

A 2

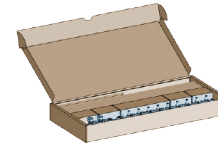
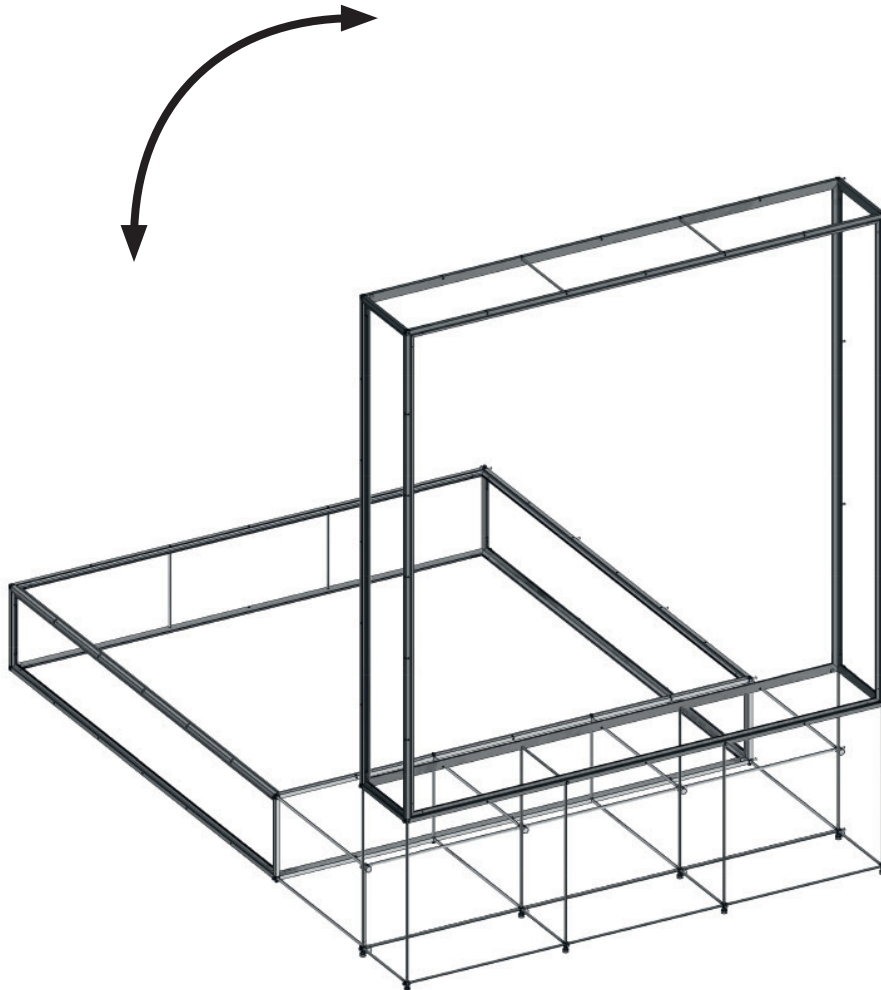


BRAVO

ASSEMBLING INSTRUCTIONS

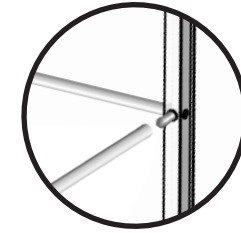
4

LIFT THE UNIT UP



MATERIAL BOX WITH:

clic cubes,
height adjusters
tubes A600 x \varnothing 10 mm
tubes A300 \varnothing 10 mm



A600 mm

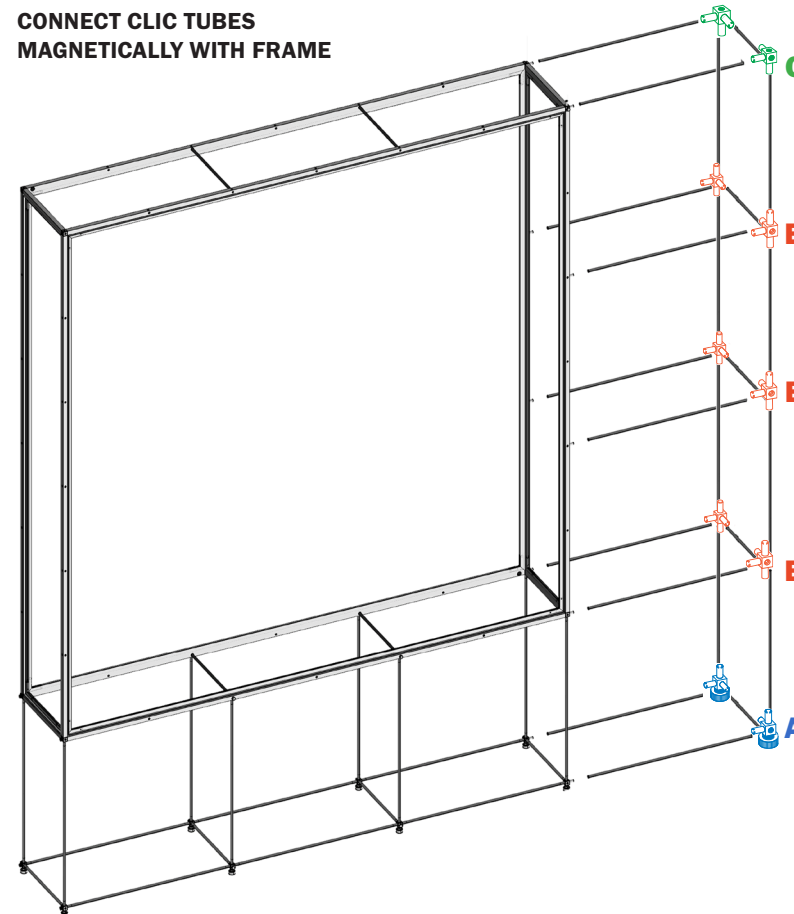


A300 mm

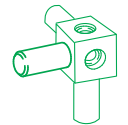


5

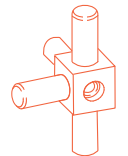
CONNECT CLIC TUBES MAGNETICALLY WITH FRAME



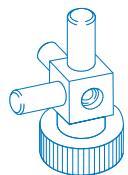
2 PIECES **C**



6 PIECES **B**



2 PIECES **A**



BRAVO

ASSEMBLING INSTRUCTIONS

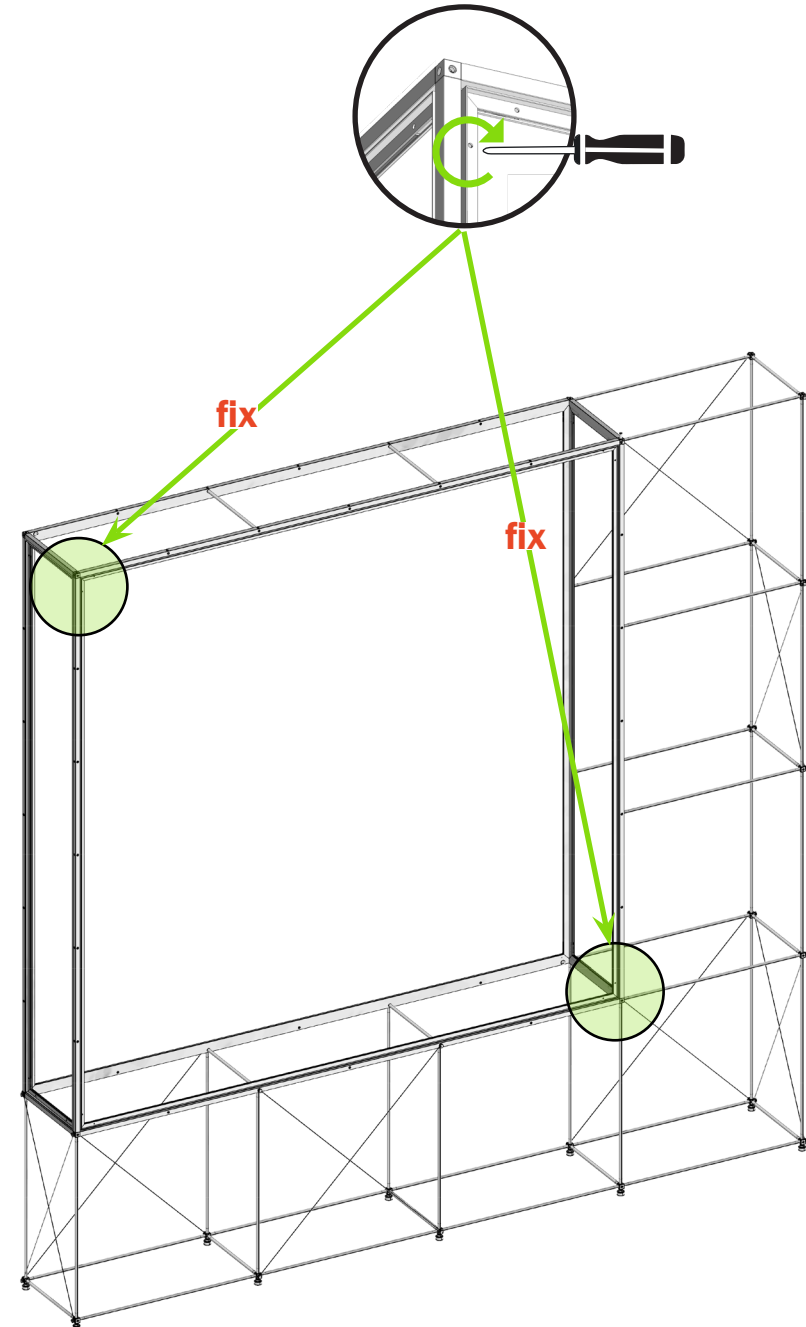
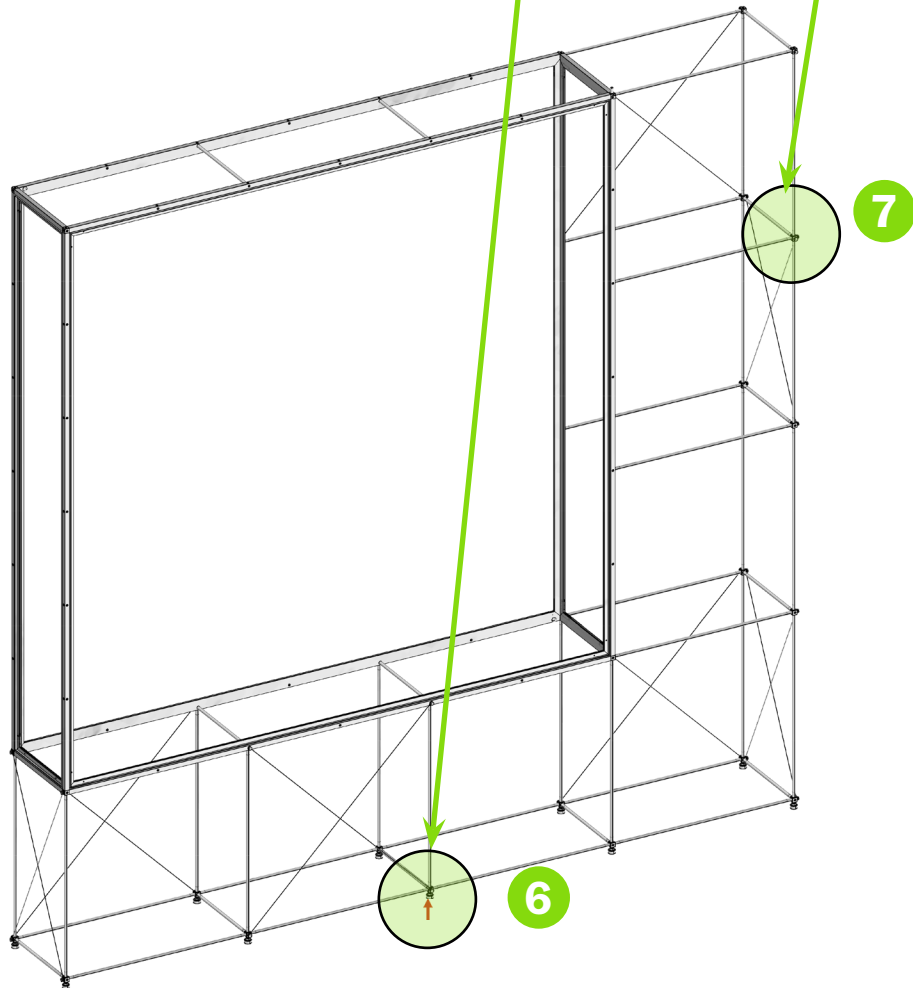
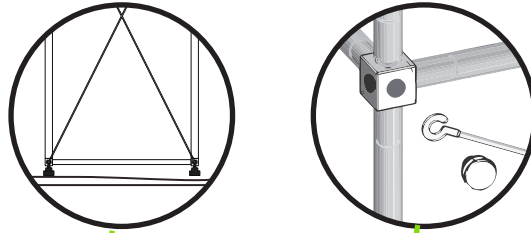


6

ADJUST HEIGHT
BEFORE ASSEMBLING DIAGONALS

7

TIGHTEN SCREWS
AFTER ASSEMBLING
ALL DIAGONALS

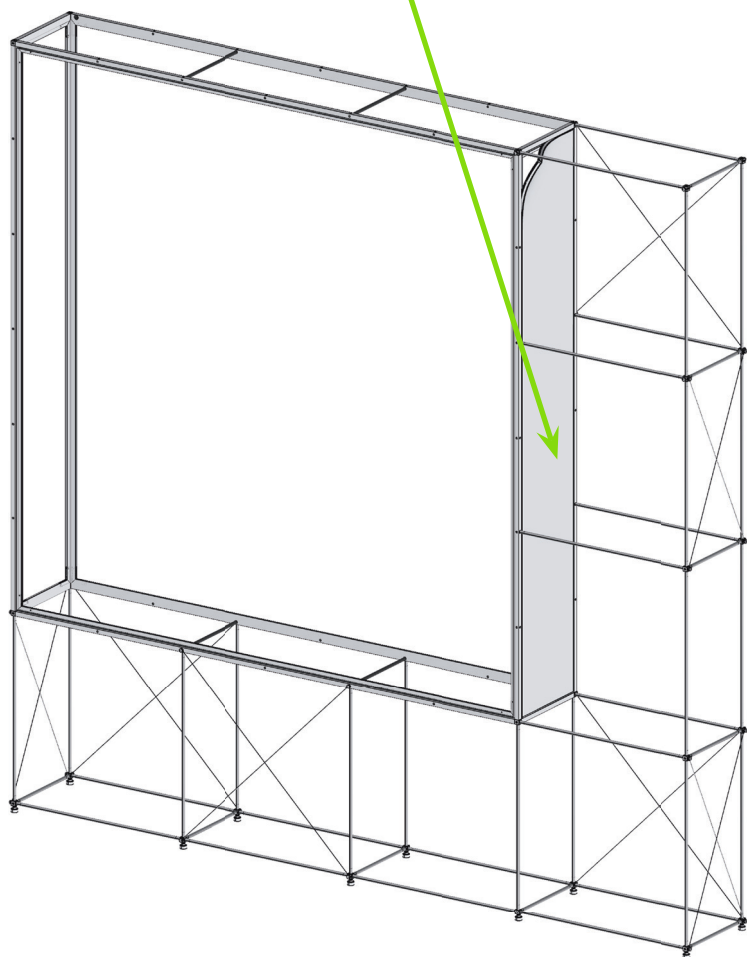


BRAVO

ASSEMBLING INSTRUCTIONS

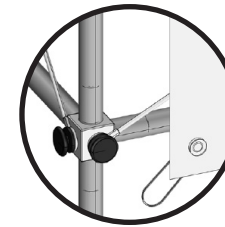
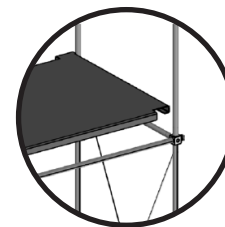
8

ASSEMBLE FABRIC BEFORE SHELVES



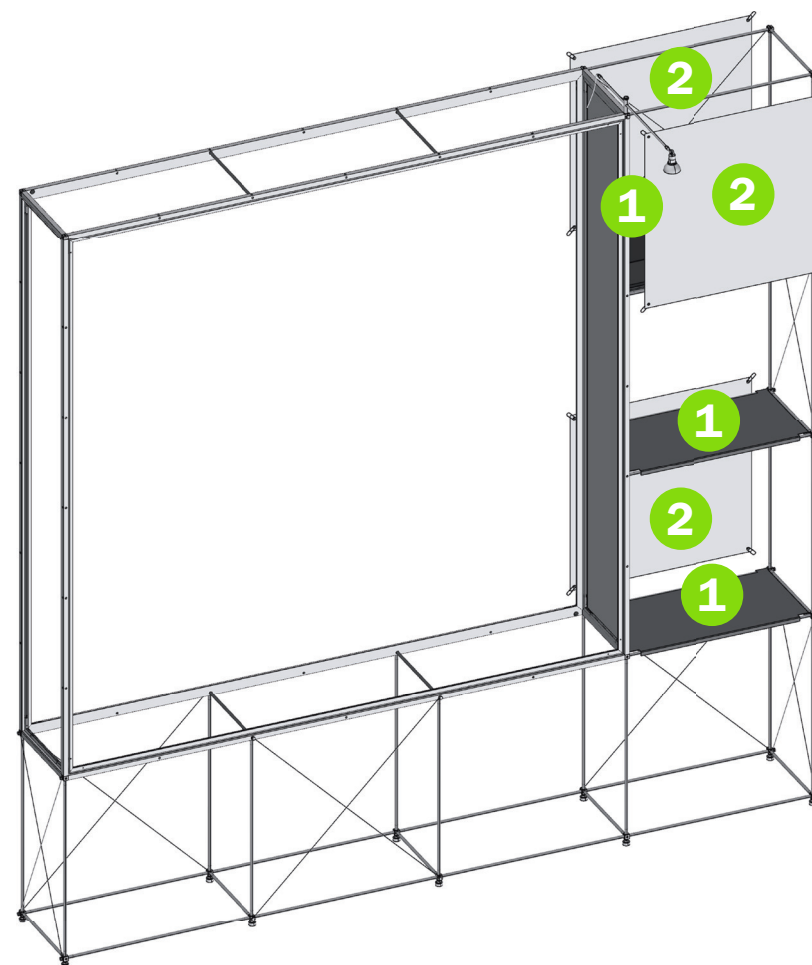
9

EQUIPE THE UNIT



1 ASSEMBLE SHELVES

2 ATTACH VINYL PANELS USING ELASTIC O-RINGS



BRAVO

ASSEMBLING INSTRUCTIONS
